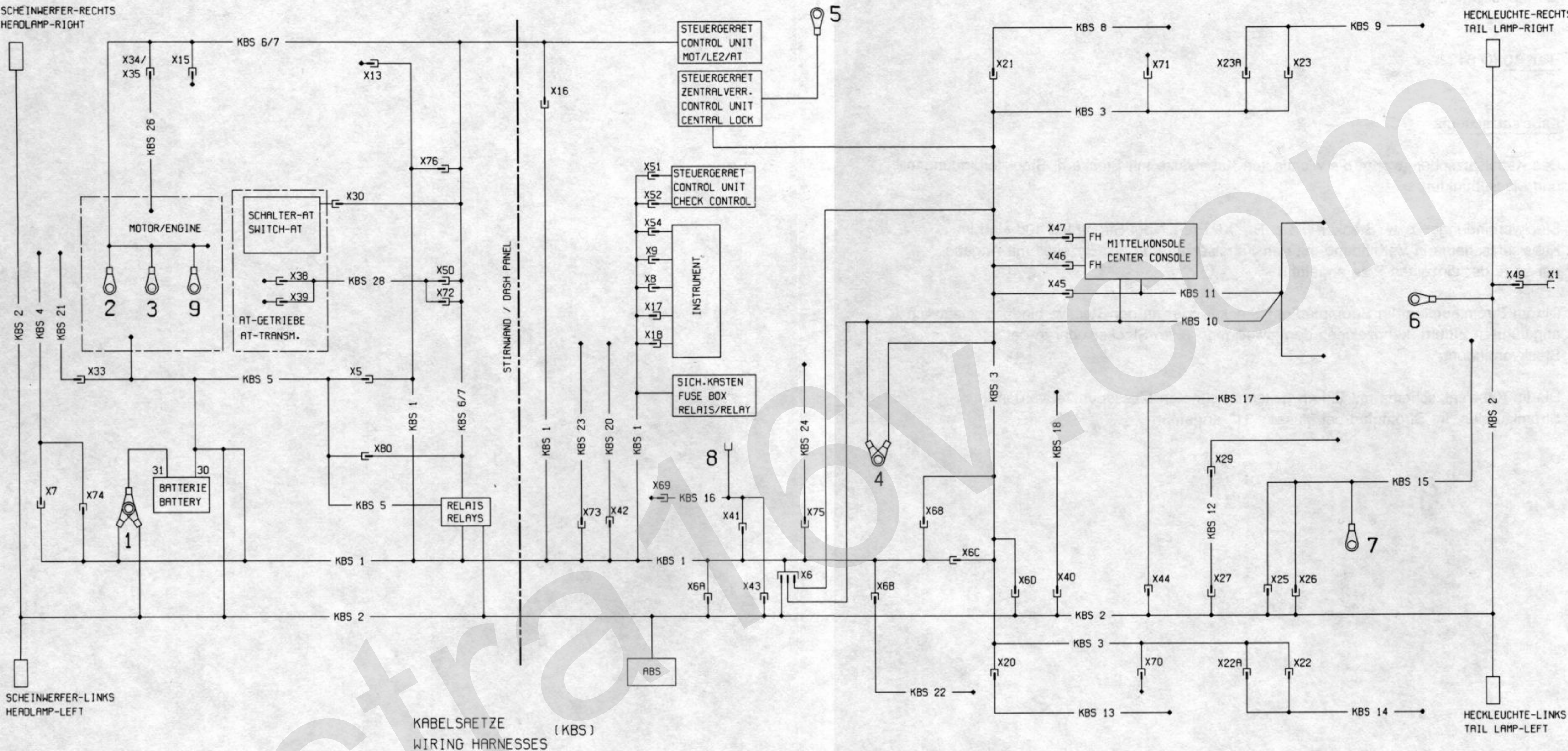


KABELSATZSCHEMA / WIRING HARNESS DIAGRAM

SCHEINWERFER-RECHTS
HEADLAMP-RIGHT

HECKLEUCHE-RECHTS
TAIL LAMP-RIGHT



KABELSATZ (KBS)
WIRING HARNESSES

- KBS 1 = ARMATURENTAFEL
- KBS 2 = KAROSSERIE
- KBS 3 = TÜR
- KBS 4 = KLIMANLAGE
- KBS 5 = MOTOR
- KBS 6 = JETRONIC (LE2)
- KBS 7 = MOTRONIC
- KBS 8 = BEIFAHRETTÜR
- KBS 9 = TÜR-HINTEN,RECHTS
- KBS 10 = KONSOLE (OHNE FENSTERHEBER)
- KBS 11 = KONSOLE (MIT FENSTERHEBER)
- KBS 12 = WAGENHOEHENREGULIERUNG
- KBS 13 = FAHRETTÜR
- KBS 14 = TÜR-HINTEN,LINKS
- KBS 15 = DECKEL-HECKRAUM
- KBS 16 = RADIO
- KBS 17 = LAUTSPRECHER-HINTEN,ANTENNE
- KBS 18 = AUTOMATIKGETRIEBE-KONSOLE

- INSTRUMENT PANEL
- BODY
- DOOR
- AIR CONDITIONING
- ENGINE
- JETRONIC (LE2)
- MOTRONIC
- CO-DRIVER DOOR
- DOOR-REAR,RIGHT
- CONSOLE (WITHOUT WINDOW LIFTER)
- CONSOLE (WITH WINDOW LIFTER)
- CAR LEVEL CONTROL
- DRIVER DOOR
- DOOR-REAR,LEFT
- LID-TRUNK
- RADIO
- LOUDSPEAKER-REAR,ANTENNA
- AUTOMATIC TRANSMISSION-CONSOLE

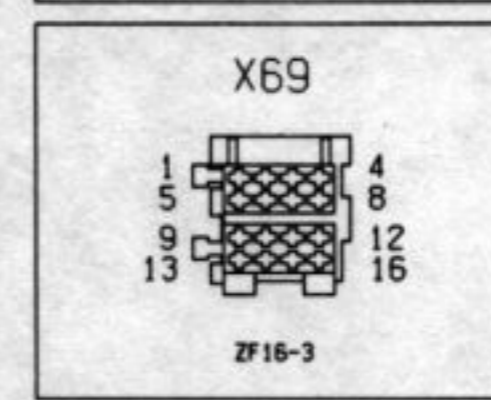
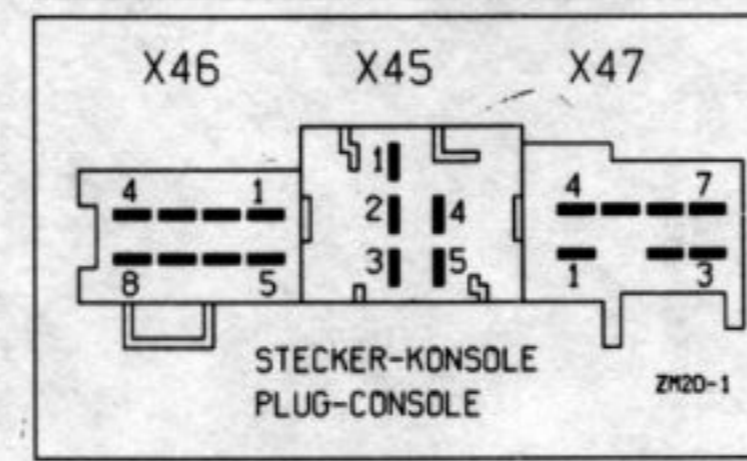
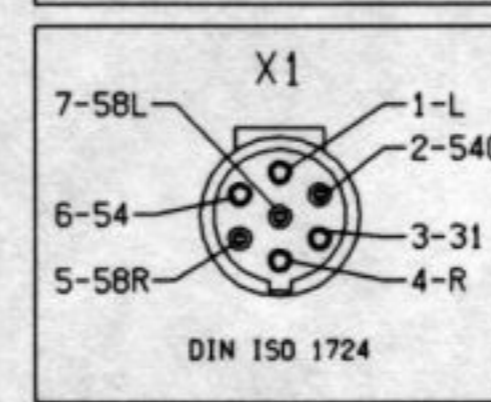
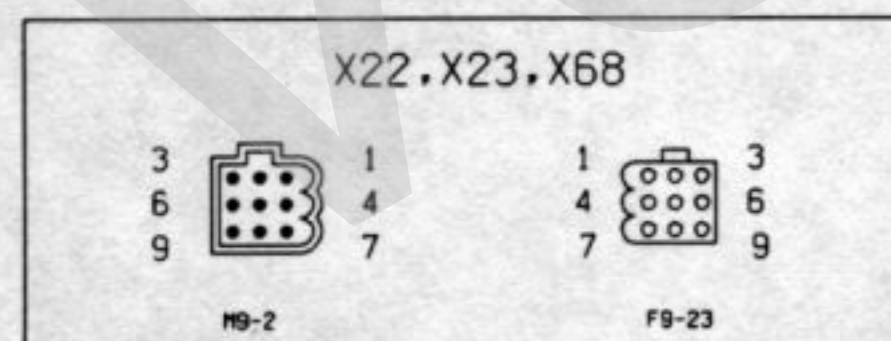
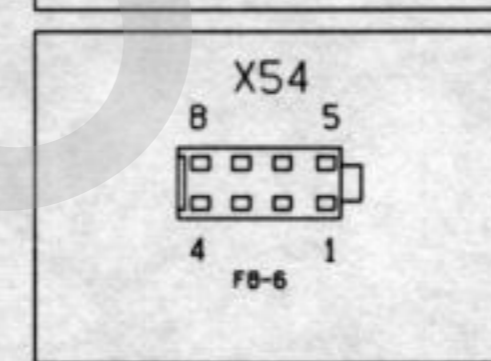
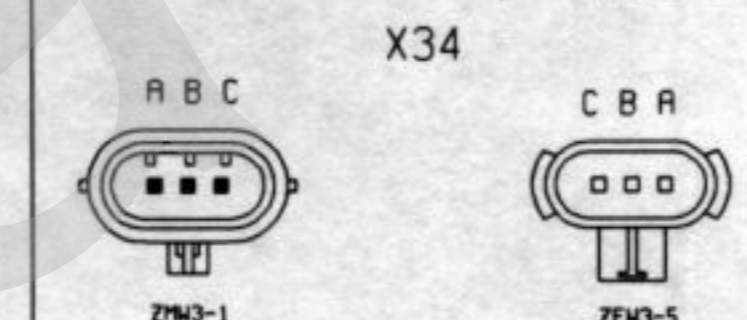
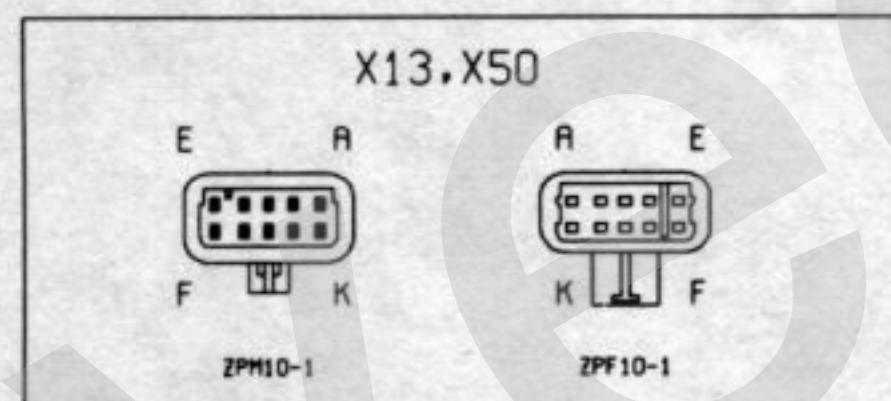
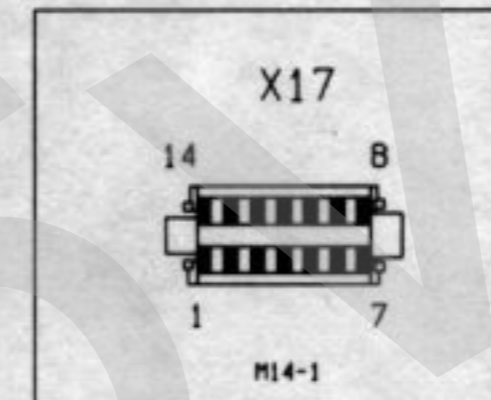
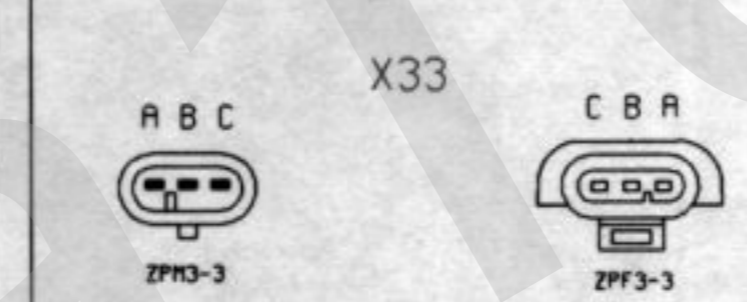
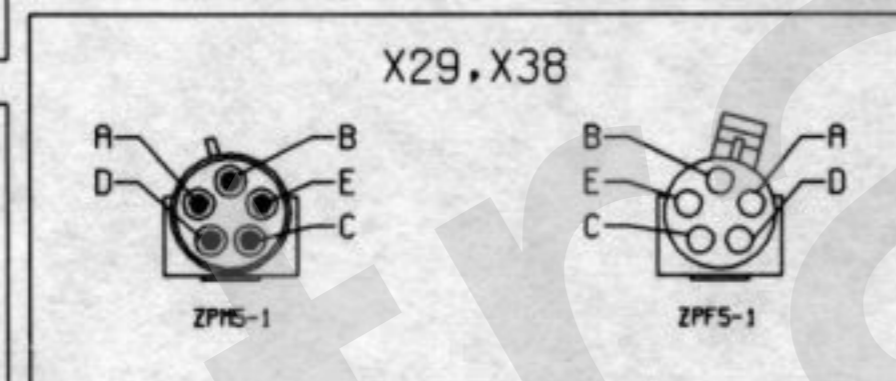
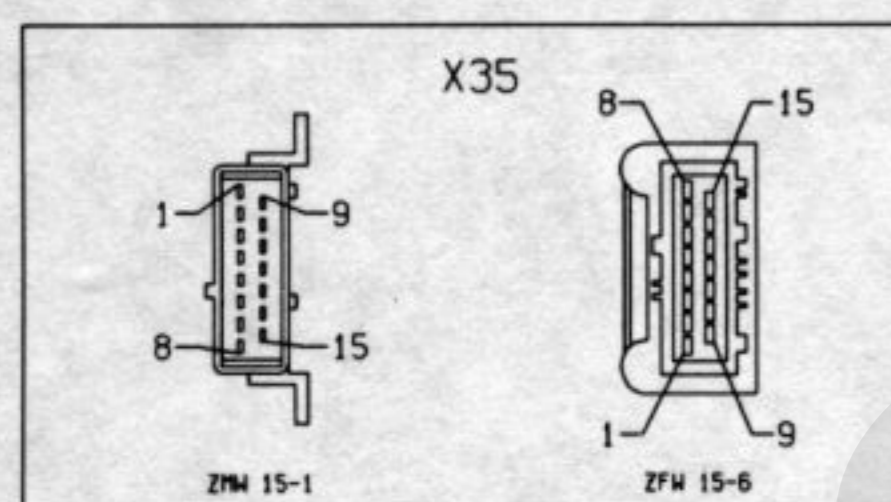
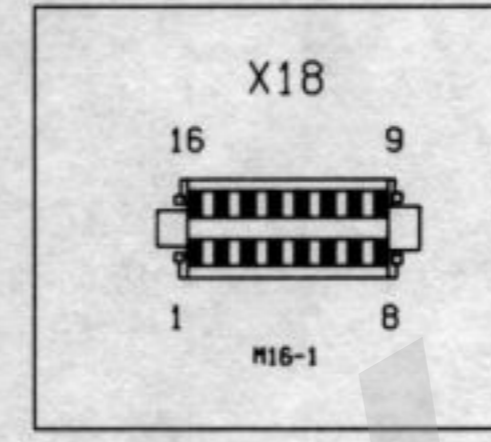
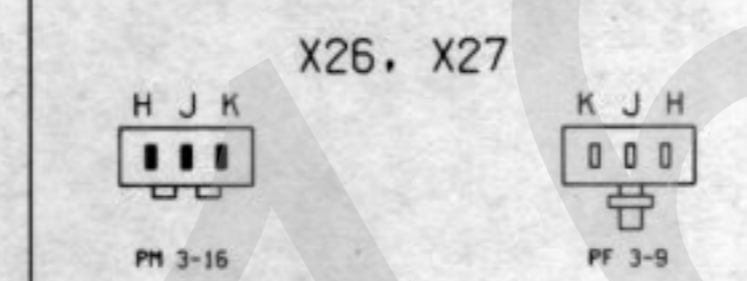
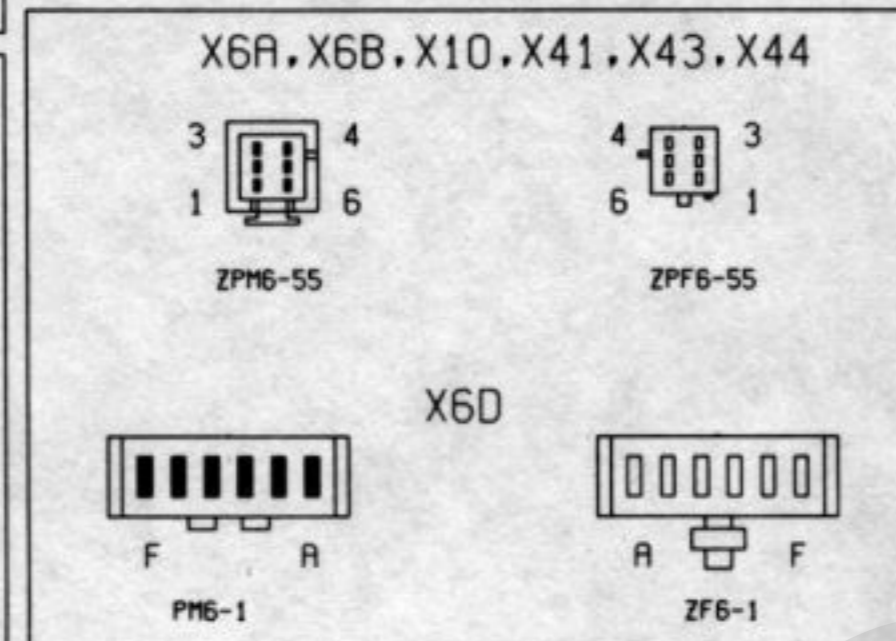
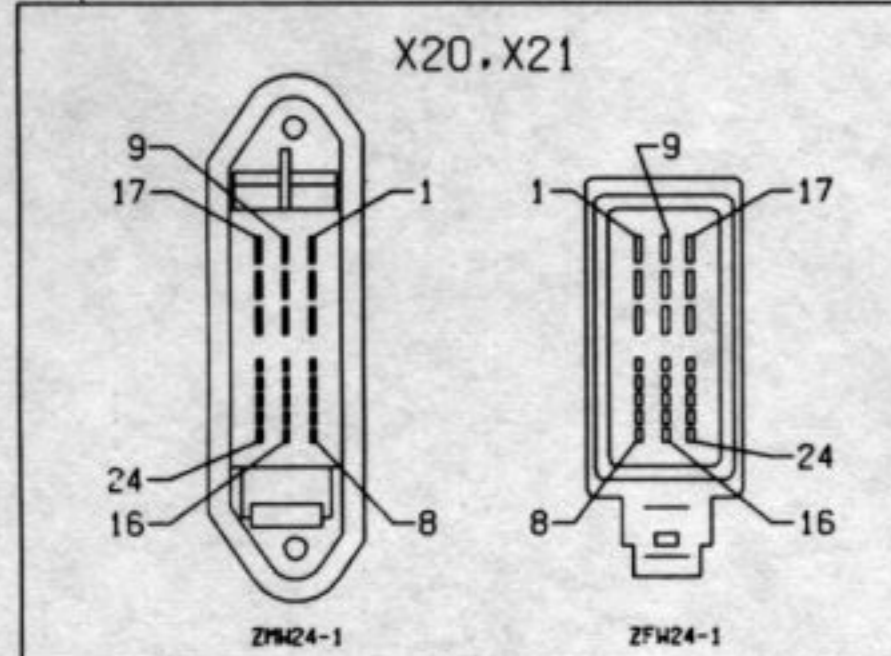
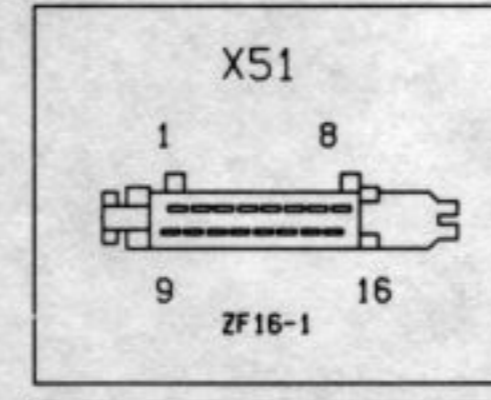
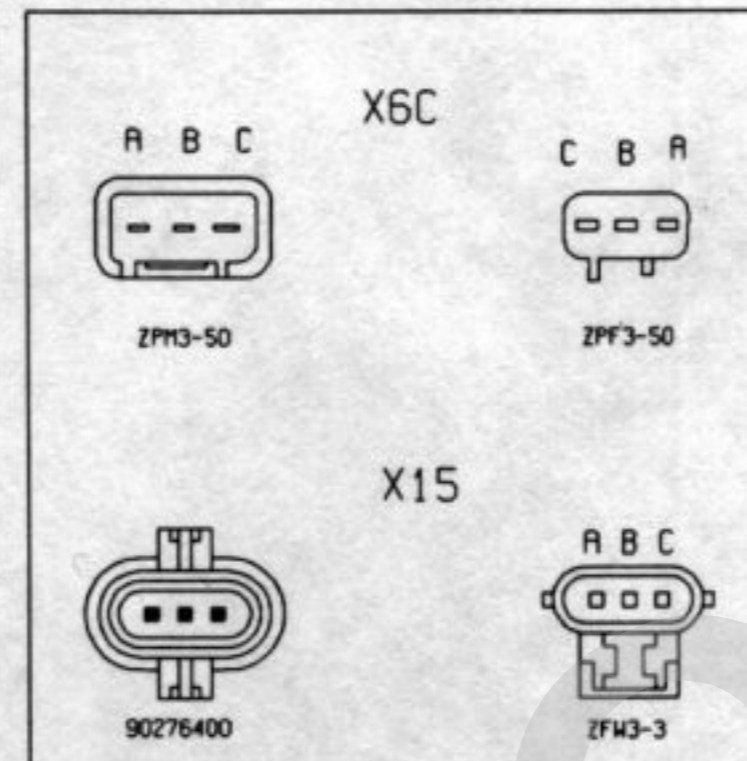
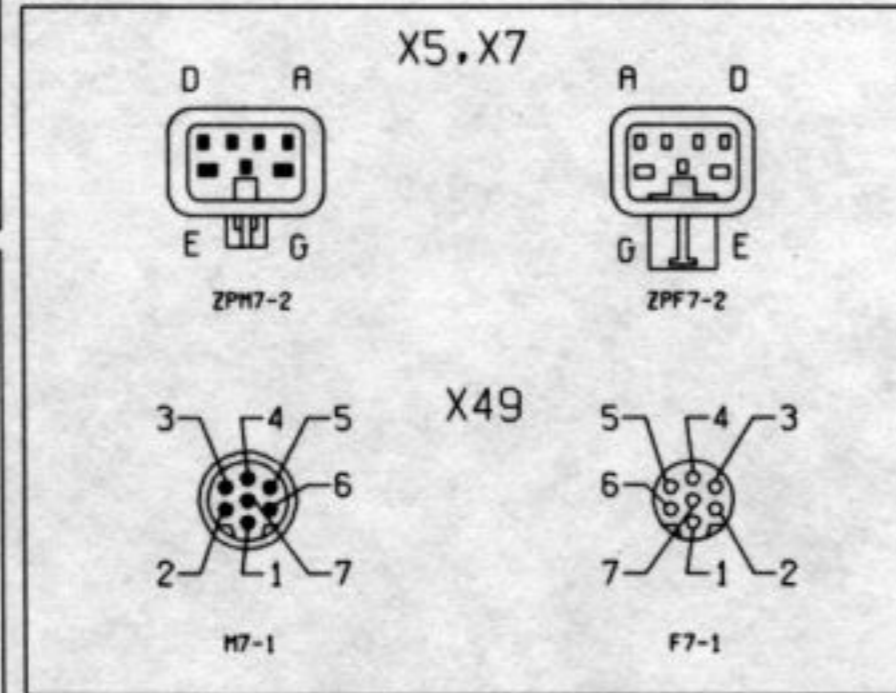
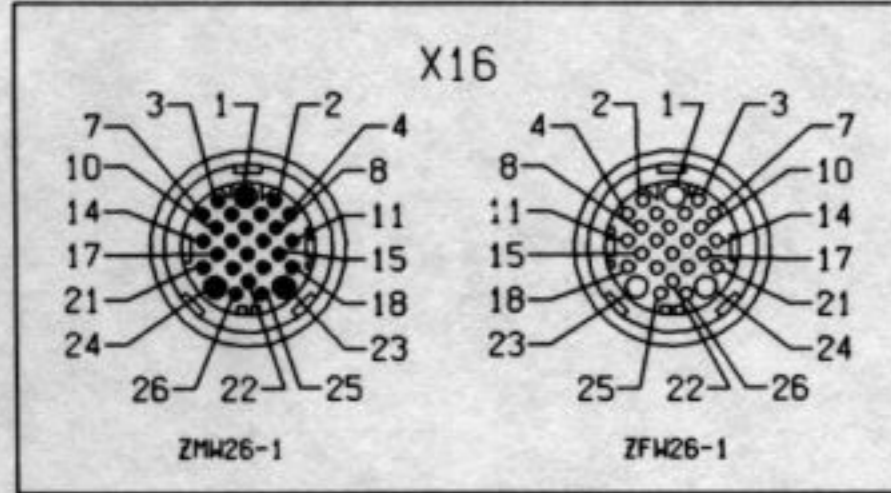
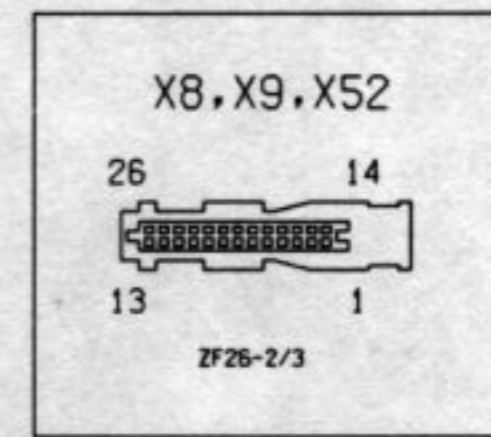
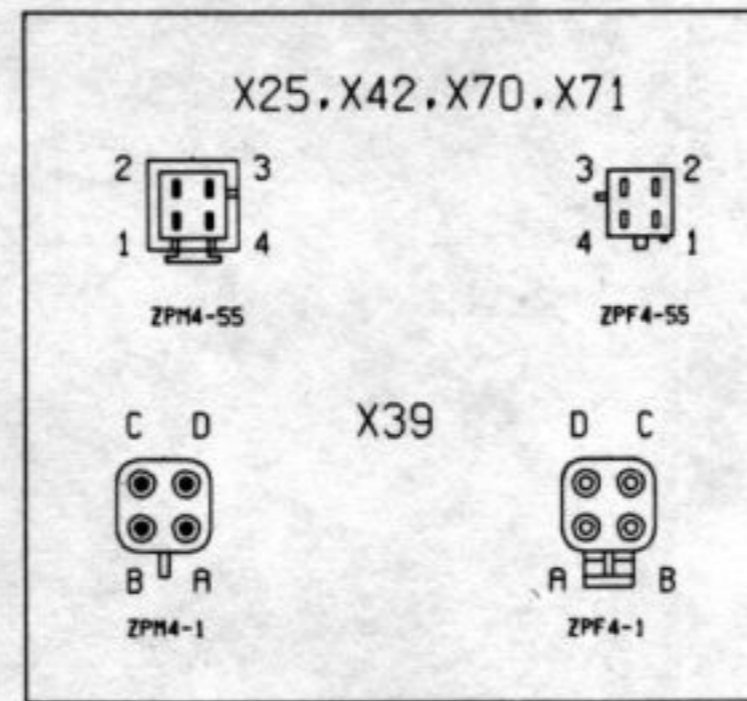
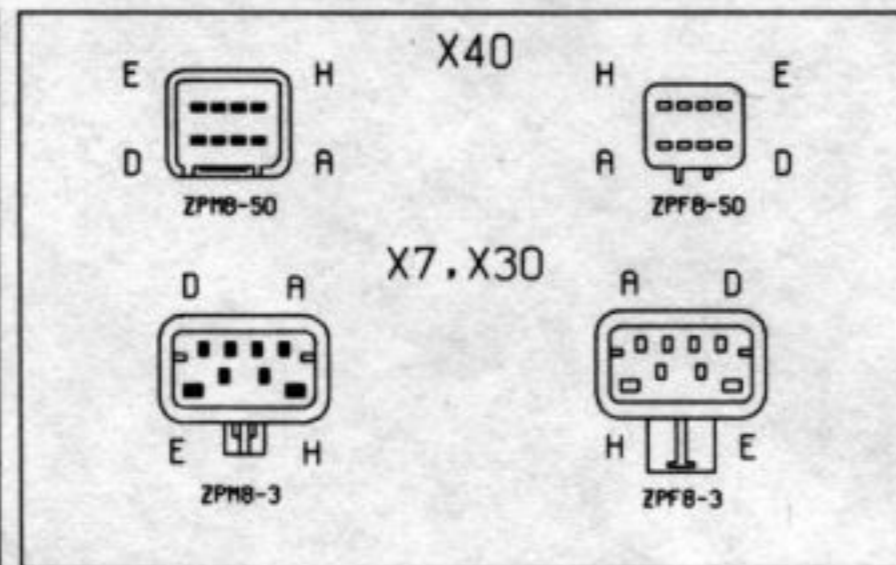
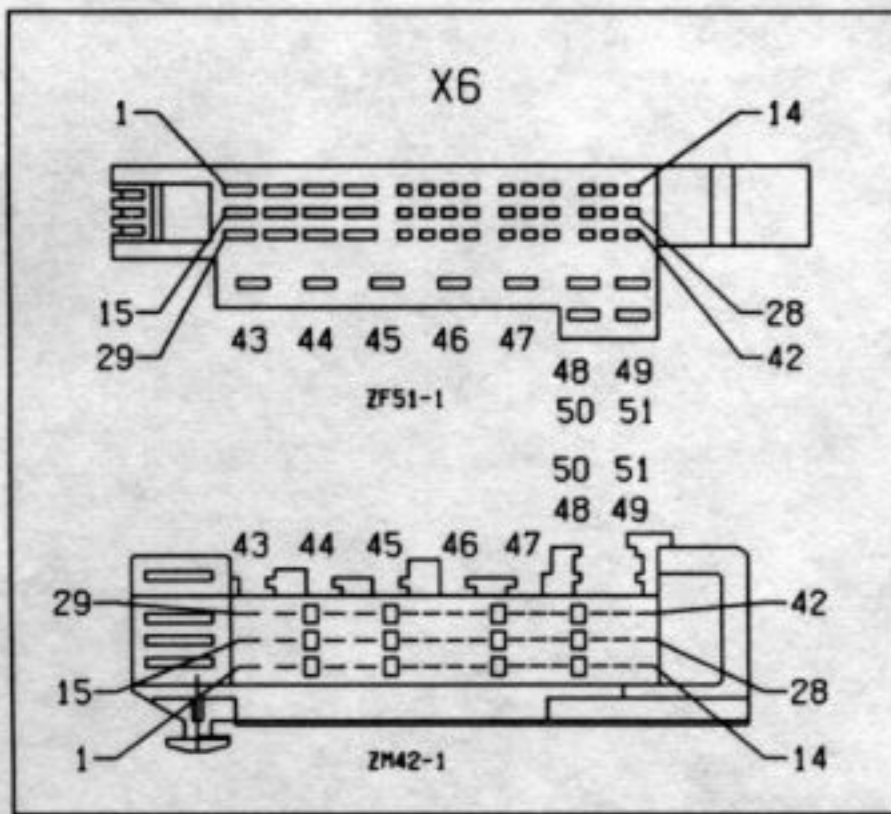
- KBS 20 = GESCHWINDIGKEITSREGLER
- KBS 21 = GEBLÄSE
- KBS 22 = FAHRWERKABSTIMMUNG,HINTEN
- KBS 23 = SCHALTER-KICK DOWN
- KBS 24 = SICHERHEITSKONTROLLE
- KBS 26 = VENTILE-KRAFTSTOFFEINSPRITZUNG
- KBS 28 = AT-GETRIEBE AR25/35

- CRUISE CONTROL
- BLOWER
- RIDE CONTROL,REAR
- SWITCH-KICK DOWN
- SAFETY CHECKING
- VALVES-FUEL INJECTION
- AT-TRANSMISSION AR25/35

MASSEPUNKTE 31-
GROUND POINTS

- 1 = KAROSSERIE-VORN,LINKS
- 2 = MOTOR-EINLASSKRUEMMER (LE2/MOT)
- 3 = MOTOR-EINLASSKRUEMMER (MOT)
- 4 = SEITENTEIL-STIRNWAND,LINKS
- 5 = SEITENTEIL-STIRNWAND,RECHTS
- 6 = KAROSSERIE-HINTEN,MITTE
- 7 = KAROSSERIE-HINTEN,LINKS
- 8 = HALTER-LENKUNG
- 9 = MOTOR-EINLASSKRUEMMER
- BODY-FRONT,LEFT
- ENGINE-INTAKE MANIFOLD (LE2/MOT)
- ENGINE-INTAKE MANIFOLD (MOT)
- PANEL-SHROUD SIDE,LEFT
- PANEL-SHROUD SIDE,RIGHT
- BODY-REAR,CENTER
- BODY-REAR,LEFT
- BRACKET-STEERING COLUMN
- ENGINE-INTAKE MANIFOLD

STECKER UND STECKVERBINDUNGEN
PLUGS AND PLUG CONNECTIONS



- | | | |
|------|--|---|
| X1 | STECKDOSE-ANHÄNGER 7P | SOCKET-TRAILER 7P |
| X5 | ARMATURENTAFEL & MOTOR 7P | INSTRUMENT PANEL & ENGINE 7P |
| X6 | ARMATURENTAFEL & KAROSSERIE 51P | INSTRUMENT PANEL & BODY 51P |
| X6A | ARMATURENTAFEL & KAROSSERIE 6P (BR) | INSTRUMENT PANEL & BODY 6P (BR) |
| X6B | ARMATURENTAFEL & FAHRWERKABSTIMMUNG, HINTEN 6P | INSTRUMENT PANEL & RIDE CONTROL, REAR 6P |
| X6C | ARMATURENTAFEL & TÜR 3P | INSTRUMENT PANEL & DOOR 3P |
| X6D | KAROSSERIE & TÜR 6P (ZV) | BODY & DOOR 6P (ZV) |
| X7 | ARMATURENTAFEL & KLIMANLAGE 7P-MT/(8P-AT) | INSTRUMENT PANEL & AIR CONDITIONING 7P-MT/(8P-AT) |
| X8 | LCD-INSTRUMENT 26P | LCD-INSTRUMENT 26P |
| X9 | LCD-INSTRUMENT 26P (CC) | LCD-INSTRUMENT 26P (CC) |
| X10 | CODIERUNG-LÄENDER 6P | CODE-COUNTRIES 6P |
| X13 | DIAGNOSE 10P | DIAGNOSTIC LINK 10P |
| X15 | OKTANZAHL 3P | OCTANE NUMBER 3P |
| X16 | ARMATURENTAFEL & MOTRONIC/JETRONIC 26P | INSTRUMENT PANEL & MOTRONIC/JETRONIC 26P |
| X17 | INSTRUMENT 14P | INSTRUMENT 14P |
| X18 | INSTRUMENT 16P | INSTRUMENT 16P |
| X20 | TÜR & TÜR, FAHRER 24P | DOOR & DOOR, DRIVER 24P |
| X21 | TÜR & TÜR, BEIFAHRENDEN 24P | DOOR & DOOR, CO-DRIVER 24P |
| X22 | TÜR & TÜR, HINTEN LINKS 9P | DOOR & DOOR, REAR LEFT 9P |
| X22A | TÜR & TÜR, HINTEN LINKS 2P | DOOR & DOOR, REAR LEFT 2P |
| X23 | TÜR & TÜR, HINTEN RECHTS 9P | DOOR & DOOR, REAR RIGHT 9P |
| X23A | TÜR & TÜR, HINTEN RECHTS 2P | DOOR & DOOR, REAR RIGHT 2P |
| X25 | KAROSSERIE & DECKEL-HECKRAUM 4P | BODY & LID-TRUNK 4P |
| X26 | KAROSSERIE & DECKEL-HECKRAUM 3P | BODY & TRUNK COMPARTMENT 3P |
| X27 | KAROSSERIE & WAGENHOHENREGULIERUNG 3P | BODY & CAR LEVEL CONTROL 3P |
| X29 | WAGENHOHENREGULIERUNG & HOHENGEBER 5P | CAR LEVEL CONTROL & HEIGHT SENSOR 5P |
| X30 | MOTRONIC/JETRONIC & SCHALTER-AT 8P | MOTRONIC/JETRONIC & SWITCH-AT 8P |
| X33 | MOTOR & GEBLÄSE 3P | ENGINE & BLOWER 3P |
| X34 | MOTRONIC & KRAFTSTOFFEINSPRITZUNG 3P (C30SE) | MOTRONIC & FUEL INJECTION 3P (C30SE) |
| X35 | MOTRONIC & KRAFTSTOFFEINSPRITZUNG 15P | MOTRONIC & FUEL INJECTION 15P |
| X38 | MOTRONIC & AUTOMATIKGETRIEBE 5P | MOTRONIC & AUTOMATIC TRANSMISSION 5P |
| X39 | MOTRONIC & AUTOMATIKGETRIEBE 4P | MOTRONIC & AUTOMATIC TRANSMISSION 4P |
| X40 | KAROSSERIE & GETRIEBE-KONSOLE 8P | BODY & TRANSMISSION-CONSOLE 8P |
| X41 | ARMATURENTAFEL & RADIO 6P | INSTRUMENT PANEL & RADIO 6P |
| X42 | ARMATURENTAFEL & GESCHWINDIGKEITSREGLER 4P | INSTRUMENT PANEL & CRUISE CONTROL 4P |
| X43 | KAROSSERIE & RADIO 6P | BODY & RADIO 6P |
| X44 | KAROSSERIE & LAUTSPRECHER, HINTEN 6P | BODY & LOUDSPEAKER, REAR 6P |
| X45 | TÜR & KONSOLLE 5P | DOOR & CONSOLE 5P |
| X46 | TÜR & KONSOLLE 8P (FH) | DOOR & CONSOLE 8P (FH) |
| X47 | TÜR & KONSOLLE 7P (FH) | DOOR & CONSOLE 7P (FH) |
| X49 | KAROSSERIE & STECKDOSE-ANHÄNGER 7P | BODY & SOCKET-TRAILER 7P |
| X50 | MOTRONIC/JETRONIC & AUTOMATIKGETRIEBE 10P | MOTRONIC/JETRONIC & AUTOMATIC TRANSMISSION 10P |
| X51 | STEUERGEGERÄT-SYSTEMÜBERWACHUNG 16P | CONTROL UNIT-CHECK CONTROL 16P |
| X52 | STEUERGEGERÄT-SYSTEMÜBERWACHUNG 26P | CONTROL UNIT-CHECK CONTROL 26P |
| X54 | INSTRUMENT 8P (CC) | INSTRUMENT 8P (CC) |
| X68 | ARMATURENTAFEL & TÜR 9P | INSTRUMENT PANEL & DOOR 9P |
| X69 | RADIO 16P | RADIO 16P |
| X70 | TÜR & GEBER-DWA, FAHRERSEITE 4P | DOOR & SENSOR-A/THF WRNG U..DRIVER SIDE 4P |
| X71 | TÜR & GEBER-DWA, BEIFAHRENDEN 4P | DOOR & SENSOR-A/THF WRNG U..CO-DRIVER SIDE 4P |
| X72 | MOTRONIC & AUTOMATIKGETRIEBE 2P | MOTRONIC & AUTOMATIC TRANSMISSION 2P |
| X73 | ARMATURENTAFEL & SCHALTER-KICK DOWN 2P | INSTRUMENT PANEL & SWITCH-KICK DOWN 2P |
| X74 | ARMATURENTAFEL & KLIMANLAGE 2P | INSTRUMENT PANEL & AIR CONDITIONING 2P |
| X75 | ARMATURENTAFEL & SICHERHEITSKONTROLLE 2P | INSTRUMENT PANEL & SAFETY CONTROL 2P |
| X76 | ARMATURENTAFEL & MOTRONIC/JETRONIC 2P | INSTRUMENT PANEL & MOTRONIC/JETRONIC 2P |
| X80 | MOTOR & MOTRONIC 2P (AT) | ENGINE & MOTRONIC 2P (AT) |
| X82 | BELEUCHTUNG-SCHALTER, GEBLÄSE 2P | ILLUMINATION SWITCH, BLOWER 2P |
| X84 | GEBER-DREHZAHL, ABS 2P (VORN LINKS) | SENSOR-REVOLUTION, ABS 2P (FRONT LEFT) |
| X85 | GEBER-DREHZAHL, ABS 2P (VORN RECHTS) | SENSOR-REVOLUTION, ABS 2P (FRONT RIGHT) |
| X86 | GEBER-DREHZAHL, ABS 2P (HINTEN LINKS) | SENSOR-REVOLUTION, ABS 2P (REAR LEFT) |
| X87 | GEBER-DREHZAHL, ABS 2P (HINTEN RECHTS) | SENSOR-REVOLUTION, ABS 2P (REAR RIGHT) |

■ NICHT GEZEICHNET/NOT SHOWN