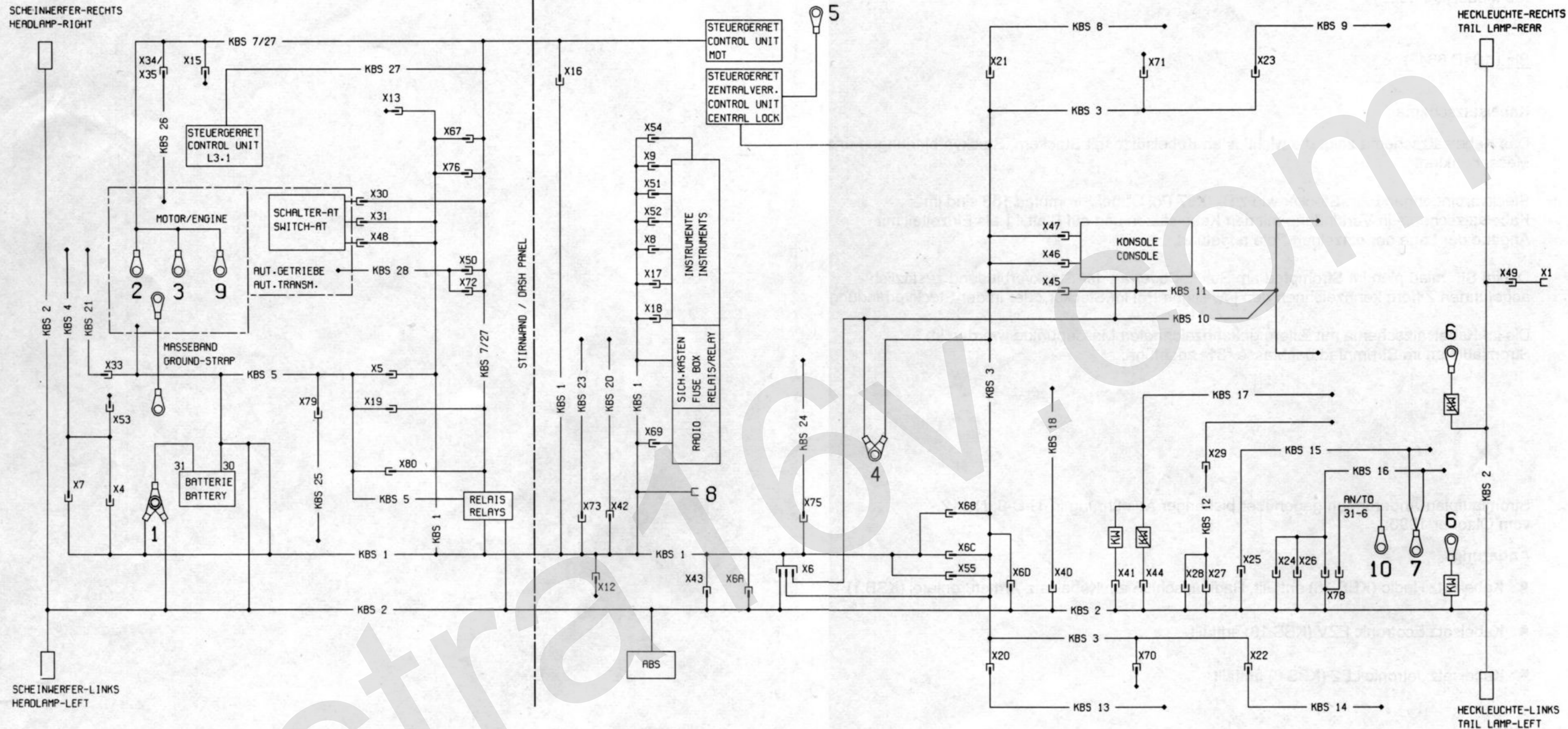


KABELSATZSCHEMA / WIRING HARNESS DIAGRAM



MASSEPUNKTE
GROUND POINTS 31-

- | | |
|---------------------------------|-------------------------|
| 1 = KAROSSERIE-VORN.LINKS | BODY-FRONT.LEFT |
| 2 = MOTOR | ENGINE |
| 3 = MOTOR | ENGINE |
| 4 = SEITENTEIL-STIRNWAND.LINKS | PANEL-SHROUD SIDE.LEFT |
| 5 = SEITENTEIL-STIRNWAND.RECHTS | PANEL-SHROUD SIDE.RIGHT |
| 6 = KAROSSERIE-HINTEN | BODY-REAR |
| 7 = KAROSSERIE-HINTEN.LINKS | BODY-REAR.LEFT |
| 8 = HALTER-LENKUNG | BRACKET-STEERING COLUMN |
| 9 = MOTOR | ENGINE |
| 10 = KLAPPE-RUECKWAND.KW | TAIL GATE.CARAVAN |

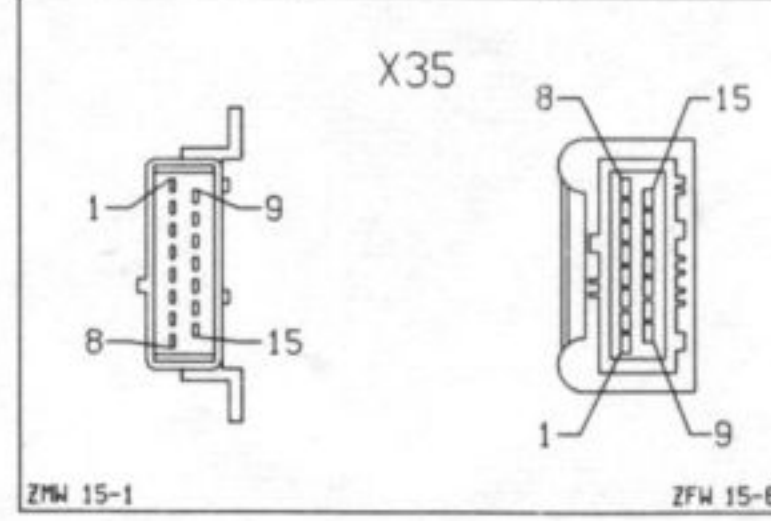
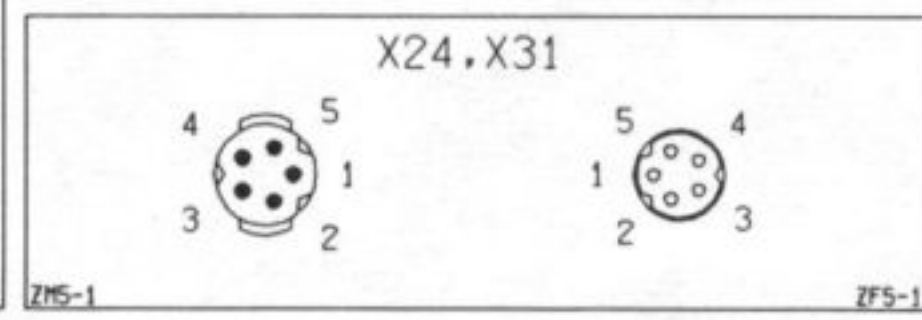
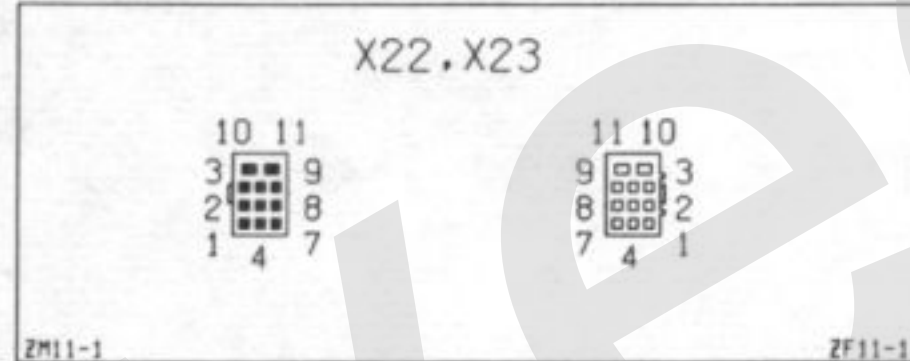
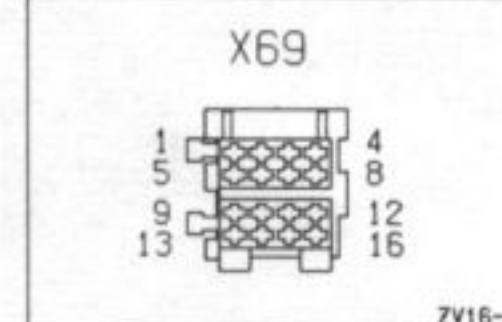
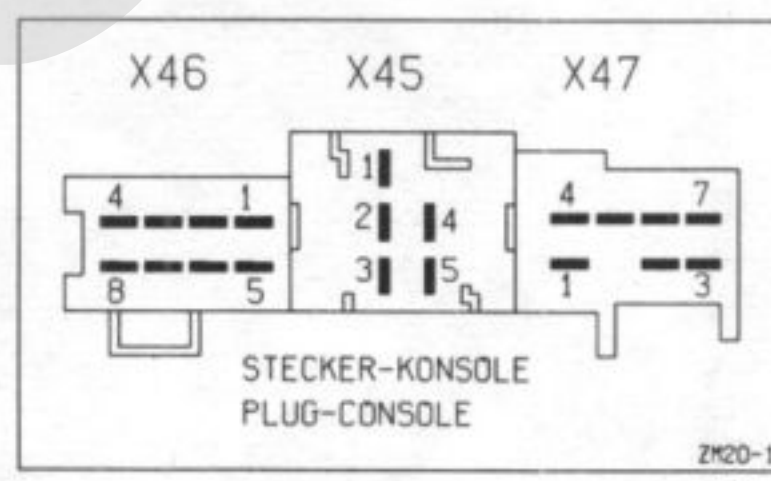
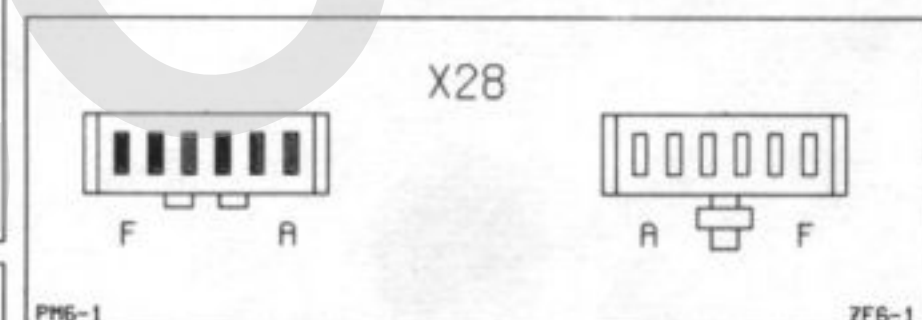
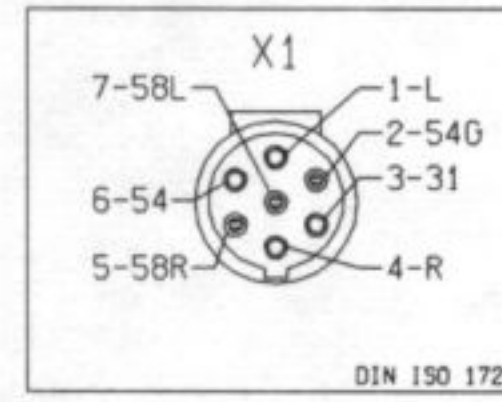
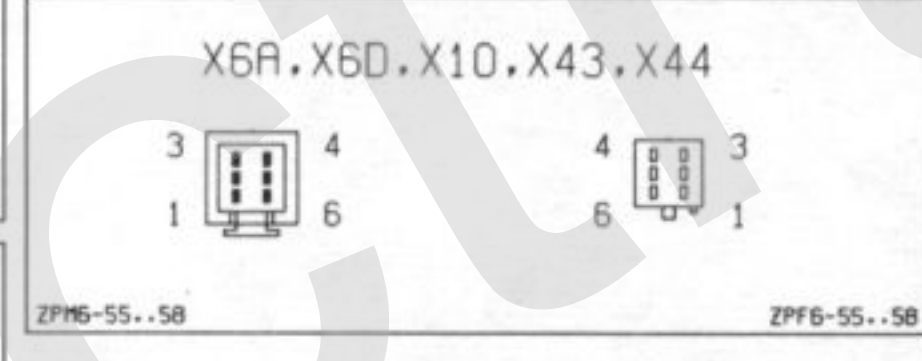
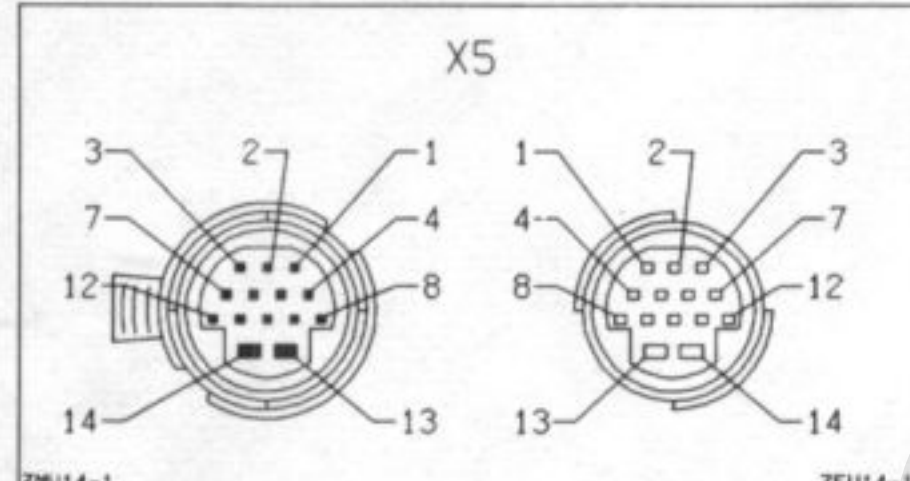
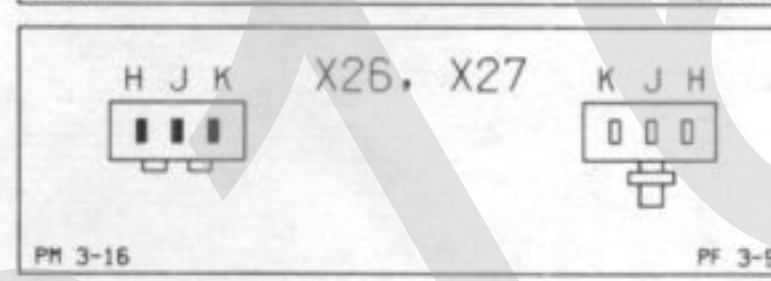
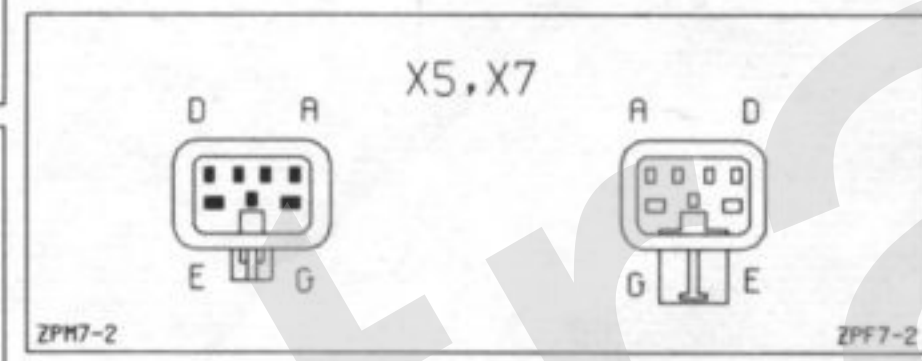
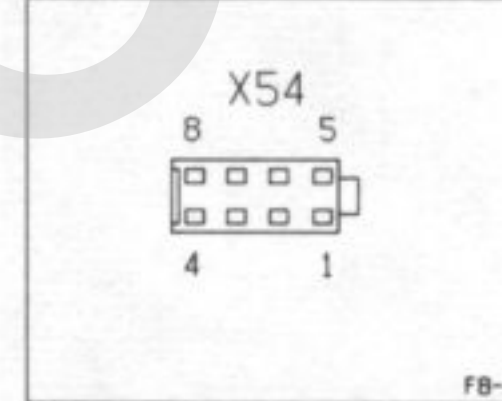
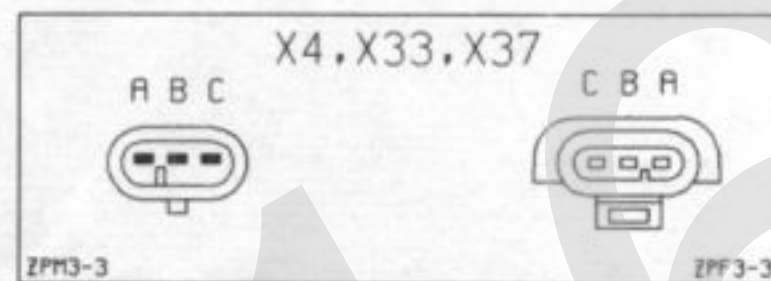
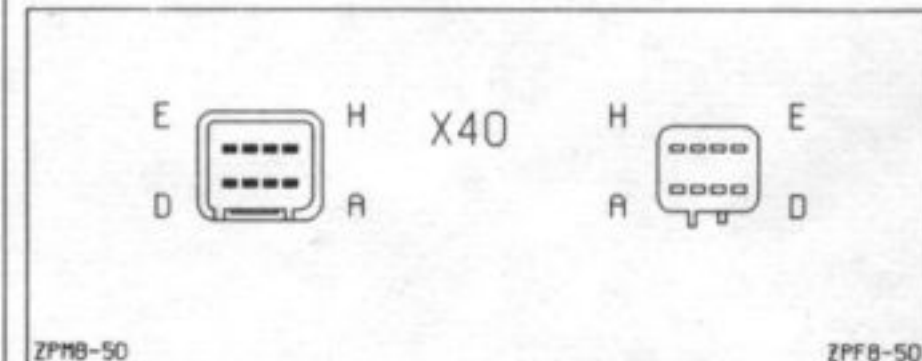
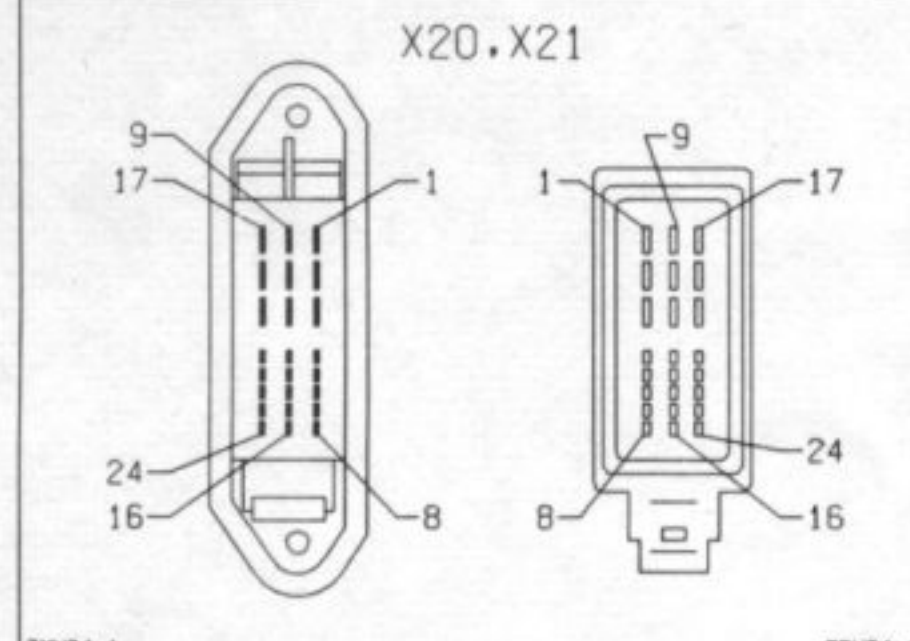
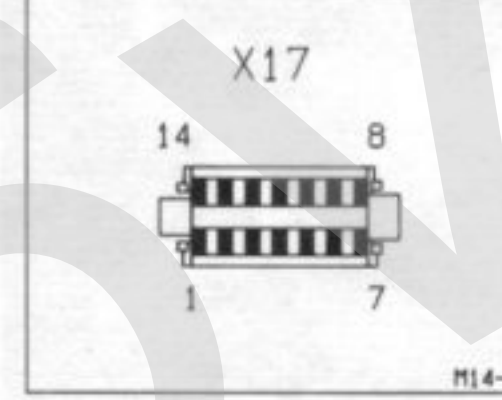
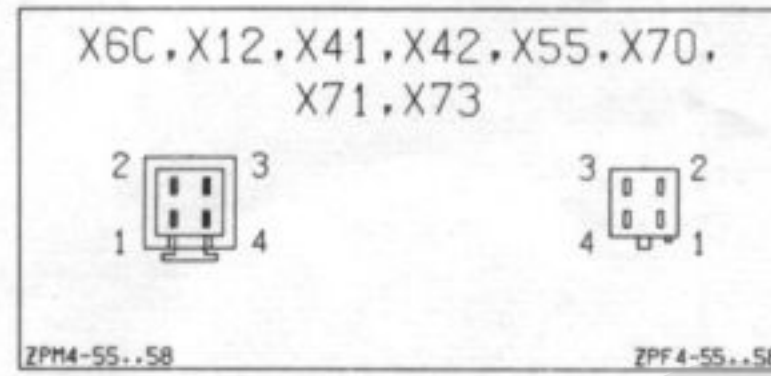
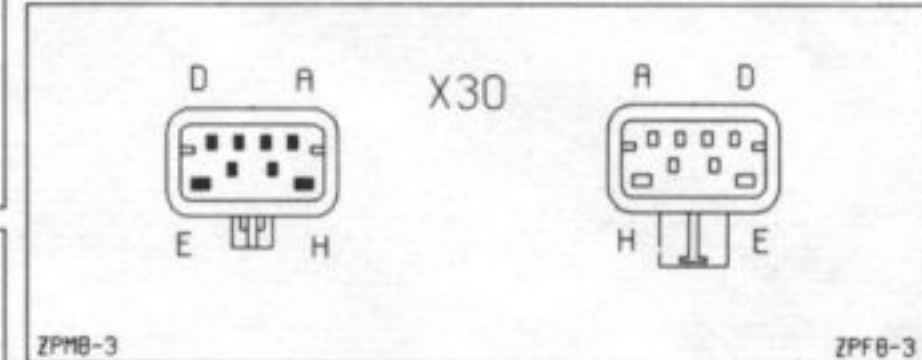
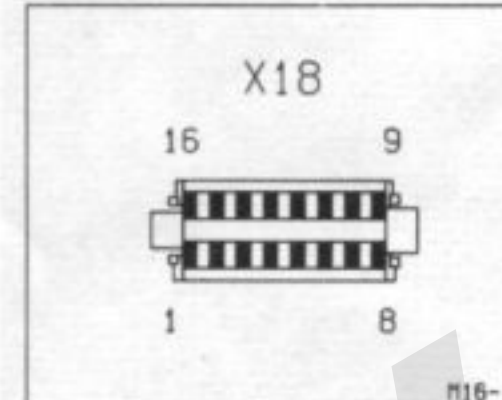
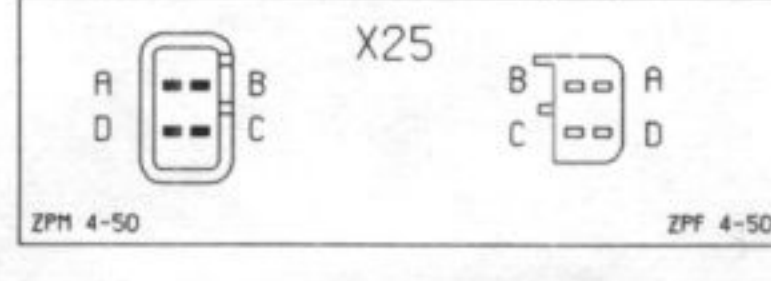
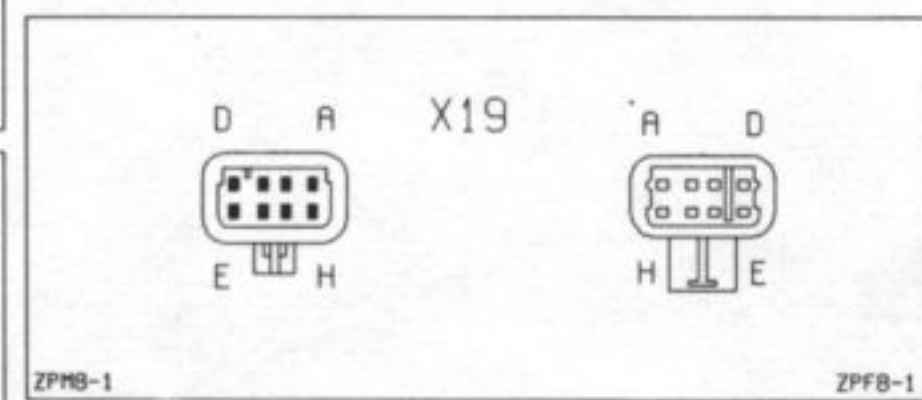
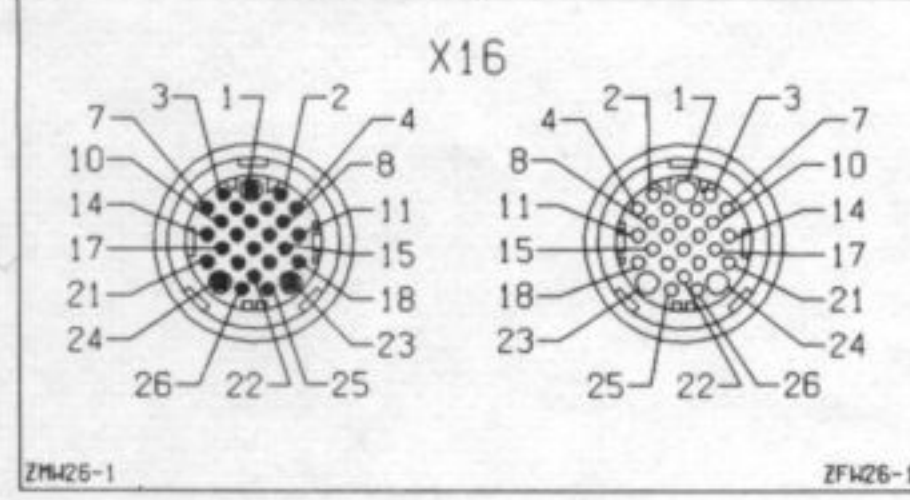
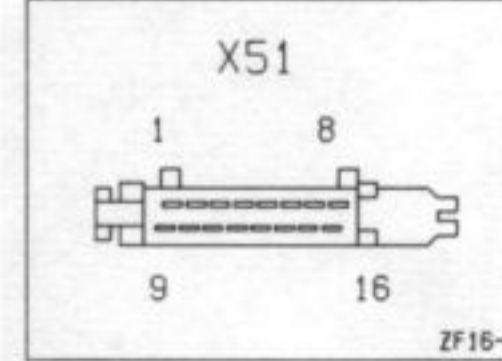
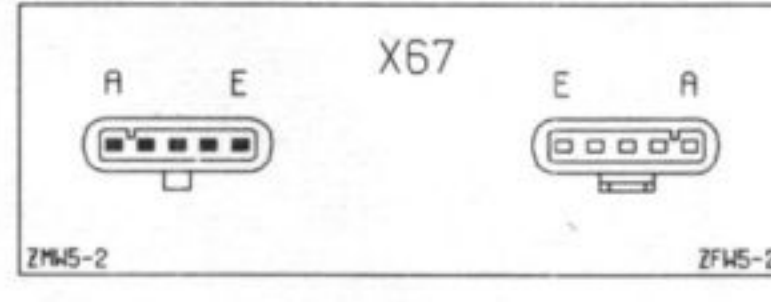
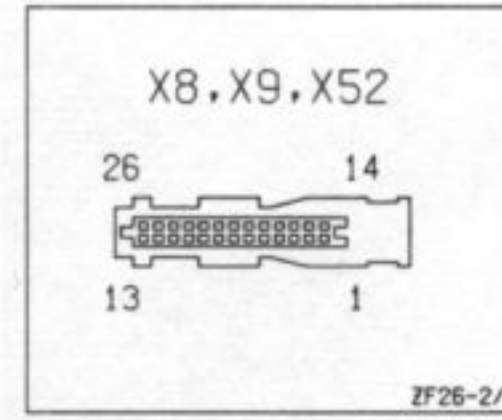
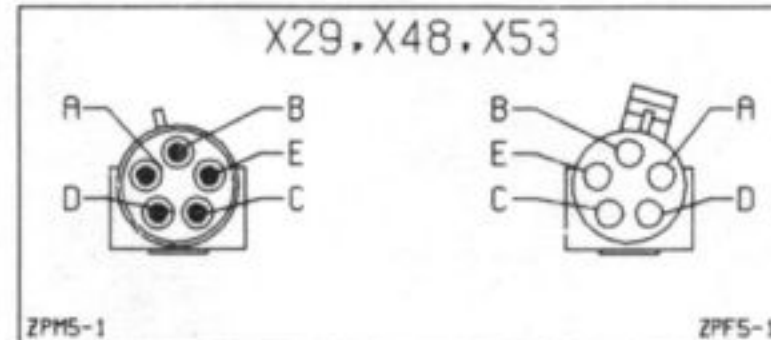
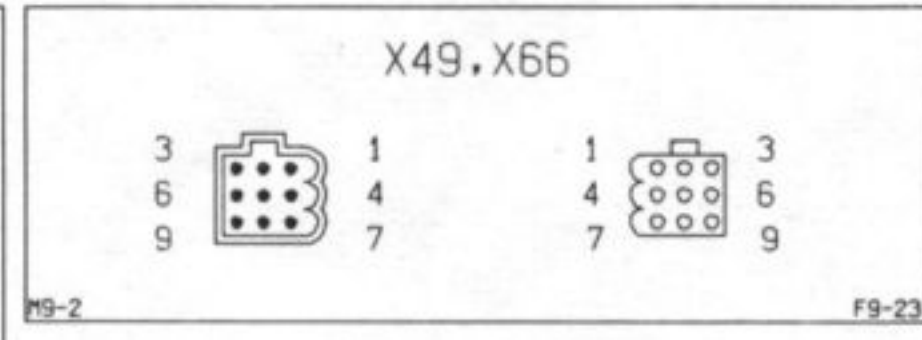
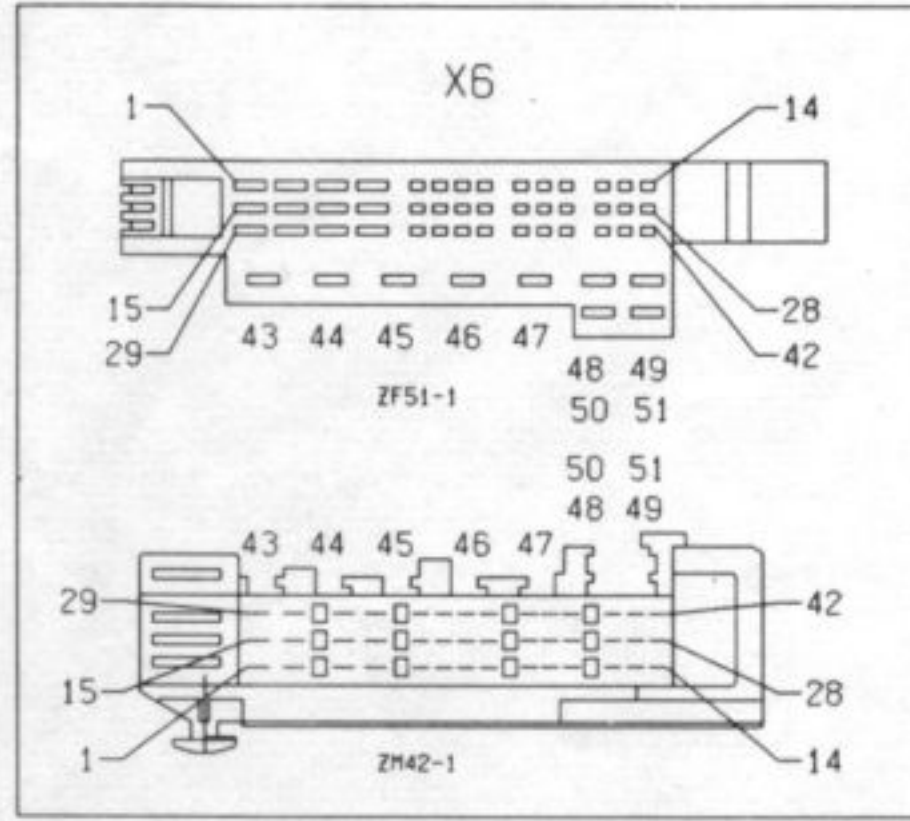
- | |
|--------------------------------------|
| KBS 1 = ARMATURENTAFEL |
| KBS 2 = KAROSSERIE |
| KBS 3 = TUER |
| KBS 4 = KLIMANLAGE |
| KBS 5 = MOTOR |
| KBS 7 = MOTRONIC |
| KBS 8 = BEIFAHRERTUER |
| KBS 9 = TUER-HINTEN.RECHTS |
| KBS 10 = KONSOLE (OHNE FENSTERHEBER) |
| KBS 11 = KONSOLE (MIT FENSTERHEBER) |
| KBS 12 = WAGENHÖHENREGULIERUNG |
| KBS 13 = FAHRERTUER |
| KBS 14 = TUER-HINTEN.LINKS |

KABELSATZ
WIRING HARNESSES (KBS)

- | |
|---------------------------------|
| INSTRUMENT PANEL |
| BODY |
| DOOR |
| AIR CONDITIONING |
| ENGINE |
| MOTRONIC |
| CO-DRIVER DOOR |
| DOOR-REAR.RIGHT |
| CONSOLE (WITHOUT WINDOW LIFTER) |
| CONSOLE (WITH WINDOW LIFTER) |
| CAR LEVEL CONTROL |
| DRIVER DOOR |
| DOOR-REAR.LEFT |

- | |
|---|
| KBS 15 = DECKEL-HECKRAUM.LIM. |
| KBS 16 = KLAPPE-RUECKWAND.KW |
| KBS 17 = LAUTSPRECHER-HINTEN |
| KBS 18 = KONSOLE MT/AT |
| KBS 20 = GESCHWINDIGKEITSREGLER |
| KBS 21 = GEBLÄSE |
| KBS 23 = SCHALTER-KICK DOWN |
| KBS 24 = SICHERHEITSKONTROLLE |
| KBS 25 = GENERATOR (D) |
| KBS 26 = VENTILE.KRAFTSTOFFEINSPRITZUNG |
| KBS 27 = JETRONIC (L3.1) |
| KBS 28 = AUT. GETRIEBE AR 25/35 |

- | |
|-----------------------|
| LID-TRUNK.LIM. |
| TAIL GATE.CARAVAN |
| LOUDSPEAKER-REAR |
| CONSOLE MT/AT |
| CRUISE CONTROL |
| BLOWER |
| SWITCH-KICK DOWN |
| SAFETY CHECKING |
| ALTERNATOR (D) |
| VALVES.FUEL INJECTION |
| JETRONIC (L3.1) |
| AUT.TRANSM. AR 25/35 |



STECKER UND STECKVERBINDUNGEN PLUGS AND PLUG CONNECTIONS

- | | | |
|-----|---|--|
| X1 | STECKDOSE-ANHÄNGER 7P | SOCKET-TRAILER 7P |
| X4 | ARMATURENTAFEL & KLIMANLAGE 3P (D) | INSTRUMENT PANEL & AIR CONDITIONING 3P (D) |
| X5 | ARMATURENTAFEL & MOTOR 14P/7P-OMEGA 3000 | INSTRUMENT PANEL & ENGINE 14P/7P-OMEGA 3000 |
| X6 | ARMATURENTAFEL & KAROSSERIE 51P | INSTRUMENT PANEL & BODY 51P |
| X6A | ARMATURENTAFEL & KAROSSERIE 6P | INSTRUMENT PANEL & BODY 6P |
| X6C | ARMATURENTAFEL & TUER 4P | INSTRUMENT PANEL & DOOR 4P |
| X6D | KAROSSERIE & TUER 6P (ZV) | BODY & DOOR 6P (ZV) |
| X7 | ARMATURENTAFEL & KLIMANLAGE 7P | INSTRUMENT PANEL & AIR CONDITIONING 7P |
| X8 | ARMATURENTAFEL & LCD-INSTRUMENT 26P | INSTRUMENT PANEL & LCD-INSTRUMENT 26P |
| X9 | ARMATURENTAFEL & LCD-INSTRUMENT 26P (CC) | INSTRUMENT PANEL & LCD-INSTRUMENT 26P (CC) |
| X10 | CODIERUNG-LÄNDER 6P | CODE-COUNTRIES 6P |
| X11 | ARMATURENTAFEL & GEBER-TEMPERATUR 2P (J) | INSTRUMENT PANEL & SENSOR-TEMPERATURE 2P (J) |
| X12 | CODIERUNG-DWA 4P | CODE-ANTI THEFT WARR U 4P |
| X13 | DIAGNOSE 10P | DIAGNOSTIC LINK 10P |
| X15 | OKTANZAHL 3P | OCTANE NUMBER 3P |
| X16 | ARMATURENTAFEL & MOTRONIC 26P | INSTRUMENT PANEL & MOTRONIC 26P |
| X17 | ARMATURENTAFEL & INSTRUMENT 14P | INSTRUMENT PANEL & INSTRUMENT 14P |
| X18 | ARMATURENTAFEL & INSTRUMENT 16P | INSTRUMENT PANEL & INSTRUMENT 16P |
| X19 | MOTOR & JETRONIC 8P | ENGINE & JETRONIC 8P |
| X20 | TUER & TUER,FAHRER 24P | DOOR & DOOR,DRIVER 24P |
| X21 | TUER & TUER,BEIFAHRER 24P | DOOR & DOOR,COPIRIVER 24P |
| X22 | TUER & TUER,HINTEN LINKS 11P | DOOR & DOOR,REAR LEFT 11P |
| X23 | TUER & TUER HINTEN,RECHTS 11P | DOOR & DOOR,REAR RIGHT 11P |
| X24 | KAROSSERIE & KLAPPE-RUECKWAND 5P (KW) | BODY & TAIL GATE 5P (KW) |
| X25 | KAROSSERIE & DECKEL-HECKRAUM 4P | BODY & LID-TRUNK 4P |
| X26 | KAROSSERIE & KLAPPE-RUECKWAND 3P (KW) | BODY & TAIL GATE 3P (KW) |
| X27 | KAROSSERIE & WAGENHOEHNREGULIERUNG 3P | BODY & CAR LEVEL CONTROL 3P |
| X28 | KAROSSERIE & WAGENHOEHNREGULIERUNG 6P | BODY & CAR LEVEL CONTROL 6P |
| X29 | WAGENHOEHNREGULIERUNG-HOEHEGEBER 5P | CAR LEVEL CONTROL-HEIGHT SENSOR 5P |
| X30 | MOTRONIC & SCHALTER-AT 8P | MOTRONIC & SWITCH-AT 8P |
| X31 | ARMATURENTAFEL & SCHALTER-AT 5P (AW71L) | INSTRUMENT PANEL & SWITCH-AT 5P (AW71L) |
| X32 | KLIMANLAGE & MOTOR 1P (D) | AIR CONDITIONING & ENGINE 1P (D) |
| X33 | MOTOR & GEBLÄSE 3P (D & AC) | ENGINE & BLOWER 3P (D & AC) |
| X34 | MOTRONIC & VENTILE-KRAFTSTOFFEINSPR. 3P (C30SE) | MOTRONIC & VALVES-FUEL INJECTION 3P (C30SE) |
| X35 | MOTRONIC & VENTILE-KRAFTSTOFFEINSPR.15P (C26NE) | MOTRONIC & VALVES-FUEL INJECTION 15P (C26NE) |
| X36 | MOTRONIC & MOTOR 1P (C24NE) | MOTRONIC & ENGINE 1P (C24NE) |
| X37 | KAROSSERIE & PUMPE-KUEHLMITTEL 3P (S/N/SF) | BODY & PUMP-COOLANT 3P (S/N/SF) |
| X40 | KAROSSERIE & KONSOLE 8P (MT/AT) | BODY & CONSOLE 8P (MT/AT) |
| X41 | KAROSSERIE & LAUTSPRECHER,HINTEN 4P (KW) | BODY & LOUDSPEAKER,REAR 4P (KW) |
| X42 | ARMATURENTAFEL & GESCHWINDIGKEITSREGLER 4P | INSTRUMENT PANEL & CRUISE CONTROL 4P (AT-AR25) |
| X43 | ARMATURENTAFEL & KAROSSERIE 6P (EMP,DWA) | INSTRUMENT PANEL & BODY 6P (EMP,DWA) |
| X44 | KAROSSERIE & LAUTSPRECHER,HINTEN 6P | BODY & LOUDSPEAKER,REAR 6P |
| X45 | TUER & KONSOLE 5P | DOOR & CONSOLE 5P |
| X46 | TUER & KONSOLE 8P (FH) | DOOR & CONSOLE 8P (FH) |
| X47 | TUER & KONSOLE 7P (FH) | DOOR & CONSOLE 7P (FH) |
| X48 | ARMATURENTAFEL & SCHALTER-AT 5P (AW71L) | INSTRUMENT PANEL & SWITCH-AT 5P (AW71L) |
| X49 | KAROSSERIE & STECKDOSE-ANHÄNGER 9P | BODY & SOCKET-TRAILER 9P |
| X50 | MOTRONIC & AUTOMATIKGETRIEBE 10P | MOTRONIC & AUTOMATIC TRANSMISSION 10P |
| X51 | ARMATURENTAFEL & CHECK CONTROL 16P | INSTRUMENT PANEL & CHECK CONTROL 16P |
| X52 | ARMATURENTAFEL & CHECK CONTROL 26P | INSTRUMENT PANEL & CHECK CONTROL 26P |
| X53 | KLIMANLAGE & KOMPRESSOR 5P (D) | AIR CONDITIONING & COMPRESSOR 5P (D) |
| X54 | ARMATURENTAFEL & INSTRUMENT 8P (CC) | INSTRUMENT PANEL & INSTRUMENT 8P (CC) |
| X55 | ARMATURENTAFEL & TUER 4P (EMP) | INSTRUMENT PANEL & DOOR 4P (EMP) |
| X66 | FAHRTUER & SCHALTER-RUSSENSPIEGEL 9P | DRIVER DOOR & SWITCH-OUTSIDE MIRROR 9P |
| X67 | ARMATURENTAFEL & MOTRONIC/JETRONIC 5P | INSTRUMENT PANEL & MOTRONIC/JETRONIC 5P |
| X68 | ARMATURENTAFEL & TUER 9P | INSTRUMENT PANEL & DOOR 9P |
| X69 | ARMATURENTAFEL & RADIO 16P | INSTRUMENT PANEL & RADIO 16P |
| X70 | TUER & GEBER-DWA 4P | DOOR & SENSOR-A/THF WRNG U. 4P |
| X71 | TUER & GEBER-DWA 4P | DOOR & SENSOR-A/THF WRNG U. 4P |
| X72 | MOTRONIC & AUTOMATIKGETRIEBE 2P | MOTRONIC & AUTOMATIC TRANSMISSION 2P |
| X73 | ARMATURENTAFEL & SCHALTER-KICK DOWN 4P (LHD) | INSTRUMENT PANEL & SWITCH-KICK DOWN 4P (LHD) |
| X74 | ARMATURENTAFEL & KLIMANLAGE 2P | INSTRUMENT PANEL & AIR CONDITIONING 2P |
| X75 | ARMATURENTAFEL & SICHERHEITSKONTROLLE 2P (SA) | INSTRUMENT PANEL & SAFETY CONTROL 2P (SA) |
| X76 | ARMATURENTAFEL & MOTRONIC 2P | INSTRUMENT PANEL & MOTRONIC 2P |
| X77 | KLIMANLAGE & GEBLÄSE,KUEHLER 3P | AIR CONDITIONING & BLOWER,RADIATOR 3P |
| X78 | KAROSSERIE & KLAPPE-RUECKWAND 2P (KW) | BODY & TAIL GATE 2P (KW) |
| X79 | MOTOR & GENERATOR 2P (D) | ENGINE & ALTERNATOR 2P (D) |
| X80 | MOTOR & MOTRONIC 2P (AT) | ENGINE & MOTRONIC 2P (AT) |
| X81 | KAROSSERIE & KLAPPE-RUECKWAND 2P (KW) | BODY & TAIL GATE 2P (KW) |
| X83 | ARMATURENTAFEL & GESCHWINDIGKEITSREGLER 1P | INSTRUMENT PANEL & CRUISE CONTROL 1P |
| X84 | ARMATURENTAFEL & GEBER-DREHZAHL,ABS 2P (VL) | INSTRUMENT PANEL & SENSOR-REVOLUTION,ABS 2P (VL) |
| X85 | ARMATURENTAFEL & GEBER-DREHZAHL,ABS 2P (VR) | INSTRUMENT PANEL & SENSOR-REVOLUTION,ABS 2P (VR) |
| X86 | ARMATURENTAFEL & GEBER-DREHZAHL,ABS 2P (HL) | INSTRUMENT PANEL & SENSOR-REVOLUTION,ABS 2P (HL) |
| X87 | ARMATURENTAFEL & GEBER-DREHZAHL,ABS 2P (HR) | INSTRUMENT PANEL & SENSOR-REVOLUTION,ABS 2P (HR) |
| X88 | GESCHWINDIGKEITSREGLER & SCHALTER-AT 1P (AW71L) | CRUISE CONTROL & SWITCH-AT 1P (AW71L) |
| X89 | KLAPPE-RUECKWAND & LEUCHE-KENNZEICHEN 1P (KW) | TAIL GATE & LIGHT-LICENCE PLATE 1P (KW) |

* NICHT GEZEICHNET / NOT SHOWN