

MASSEPUNKTE  
GROUNDPOINTS 31-

- |                                |                         |
|--------------------------------|-------------------------|
| 1 = KAROSSERIE, VORN, RECHTS   | BODY, FRONT, RIGHT      |
| 2 = FAHRGESTELL                | CHASSIS                 |
| 3 = MOTOR                      | ENGINE                  |
| 4 = MOTOR                      | ENGINE                  |
| 5 = MOTOR                      | ENGINE                  |
| 6 = KOTFLUEGEL, RECHTS         | INNER WING PANEL, RIGHT |
| 7 = KOTFLUEGEL, LINKS          | INNER WING PANEL, LEFT  |
| 8 = STIRNWAND                  | DASH PANEL              |
| 9 = KAROSSERIE, RECHTS         | BODY, RIGHT             |
| 10 = KAROSSERIE, LINKS         | BODY, LEFT              |
| 11 = KAROSSERIE, MITTE         | BODY, CENTRE            |
| 12 = KAROSSERIE, HINTEN, LINKS | BODY, REAR, LEFT        |
| 13 = MOTOR                     | ENGINE                  |
| 14 = FAHRGESTELL               | CHASSIS                 |

KABELSAETZE  
WIRING HARNESSES (KBS)

- |   |                              |  |   |
|---|------------------------------|--|---|
| KBS 1 = MOTORRAUM, LH                     | ENGINE ROOM, LH              | K14 = REGLER-GESCHWINDIGKEIT                 | CRUISE CONTROL                          |
| KBS 2 = MOTORRAUM, RH                     | ENGINE ROOM, RH              | K30 = RELAIS-INTERVALL, WISCHER, HECKSCHEIBE | RELAY-INTERVAL, WIPER, BACK WINDOW      |
| KBS 3 = NON STOP ALLRAD SYSTEM            | SHIFT ON THE FLY             | K50 = STEUERGERAET-ABS                       | CONTROL UNIT-ABS                        |
| KBS 4 = ANLASSER                          | STARTER                      | K77 = RELAIS-GLUEHSTIFTKERZEN                | RELAY-GLOW PLUGS                        |
| KBS 5 = BATTERIE, MASSE                   | BATTERY, GROUND              | K78 = RELAIS-VORWIDERSTAND                   | RELAY-PRERESISTOR                       |
| KBS 6 = SCHALTER, DOPPELDRUCK             | SWITCH, DUAL PRESSURE        | K85 = STEUERGERAET-AT                        | CONTROL UNIT-AT                         |
| KBS 7 = GETRIEBE                          | TRANSMISSION                 | K94 = STEUERGERAET-DIEBSTAHLWARNANLAGE       | CONTROL UNIT-ANTI THEFT WARNING UNIT    |
| KBS 8 = MOTOR                             | ENGINE                       | K97 = ZEITRELAIS-WASCHERPUMPE, SCHEINWERF.   | RELAY-TIME DELAY, WASHERP., HEADLAMPS   |
| KBS 9 = BATTERIE, POSITIV                 | BATTERY, POSITIVE            | K102 = STEUERGERAET-PARK BRAKE SHIFT LOCK    | CONTROL UNIT-PARK BRAKE SHIFT LOCK      |
| KBS 10 = GENERATOR                        | ALTERNATOR                   | K115 = RELAIS-ANLASSER                       | RELAY-STARTER                           |
| KBS 11 = ARMATURENTAFEL                   | INSTRUMENT PANEL             | K117 = STEUERGERAET-WEGFAHRSPERRE            | CONTROL UNIT-IMMOBILISER                |
| KBS 12 = KAROSSERIE, VORN                 | BODY, FRONT                  | K128 = THERMOSTAT-ELEKTRONIK                 | THERMOSTAT-ELECTRONIC                   |
| KBS 13 = TUER, BEIFAHRER                  | DOOR, CO-DRIVER              | K134 = STEUERGERAET-SCHIEBEDACH              | CONTROL UNIT-SUN ROOF                   |
| KBS 14 = INNENRAUMLEUCHE                  | INTERIOR LAMP                | K142 = STEUERGERAET-WAEHLHEBEL POSITION      | CONTROL UNIT-AT SELECTOR LEVER POSITION |
| KBS 15 = SCHIEBEDACH                      | SUN ROOF                     | K156 = STEUERGERAET-MULTEC-M                 | CONTROL UNIT-MULTEC-M                   |
| KBS 16 = TUER, FAHRER                     | DOOR, DRIVER                 | K157 = RELAIS-SCHEINWERFER                   | RELAY-HEADLAMP                          |
| KBS 17 = BEIFAHRERSITZ                    | CO-DRIVER SEAT               | K161 = STEUERGERAET-QDS, EGR                 | CONTROL UNIT-QDS, EGR                   |
| KBS 18 = FAHRERSITZ                       | DRIVER SEAT                  | H19 = WARNSUMMER-SCHEINW.EINSCHALTCONTROLLE  | WARNING BUZZER-HEADLAMPS ON             |
| KBS 19 = TUER, HINTEN, ZWISCHENSTUECK, RH | DOOR, REAR, INTERMEDIATE, RH |  |   |
| KBS 20 = TUER, HINTEN, RH                 | DOOR, REAR, RH               |  |   |
| KBS 21 = KAROSSERIE, HINTEN               | BODY, REAR                   |  |   |
| KBS 22 = TUER, HINTEN, LINKS              | DOOR, REAR, LEFT             |  |   |
| KBS 23 = HECKTUER, LINKS                  | BACK DOOR, LEFT              |  |   |
| KBS 24 = FAHRGESTELL                      | CHASSIS                      |  |   |
| KBS 25 = HECKTUER, RECHTS                 | BACK DOOR, RIGHT             |  |   |



STECKVERBINDUNGEN STICHWORTVERZEICHNIS		PLUG CONNECTIONS INDEX	
U4/C1 U4/C2 U10 U13 U25 U26	HYDROAGGREGAT ZSB-ABS HYDROAGGREGAT ZSB-ABS ZWISCHENGEHAEUSE-AUTOMATIKGETRIEBE ZSB HAUPTGEHAEUSE ZSB-AUTOMATIKGETRIEBE MAGNETVENTIL-ACHSE,VORN 1 MAGNETVENTIL-ACHSE,VORN 2	HYDRO AGGREGATE ASM-ABS HYDRO AGGREGATE ASM-ABS INTERMEDIATE HOUSING-AUTOMATIC TRANSMIS. ASM MAIN HOUSING ASM-AUTOMATIC TRANSMISSION SOLENOID VALVE-AXLE,FRONT 1 SOLENOID VALVE-AXLE,FRONT 2	088 045 063 058 014 019
V6 V18-LHD V18-RHD V21 V22 V24 V25 V26 V28 V30 V31 V33 V38	DIODE-STANDLICHT DIODE-RELAIS,STARTER DIODE-RELAIS,STARTER DIODE-WARNSUMMER DIODE-WARNSUMMER DIODE DIODE DIODE DIODE DIODE DIODE DIODE	DIODE-PARKING LAMP DIODE-RELAY,STARTER DIODE-RELAY,STARTER DIODE-WARNING BUZZER DIODE-WARNING BUZZER DIODE DIODE DIODE DIODE DIODE DIODE	043 020 060 060 060 060 043 060 060 060 060 060
XC16 XC39 XC85 XD XH2 XH2-V6 XH3-D XH4 XH5 XH6-V6 XH7 XH8-RHD XH8-LHD XH9-LHD XH9-RHD XH10 XH11 XH12-LHD XH12-RHD XH13-LHD XH13-RHD XH14 XH15-LHD XH15-RHD XH16 XH18 XH19 XH20 XH21 XH22 XH23 XH24-LHD XH24-RHD XH25 XH26 XH27 XH28 XH29 XH31 XH32 XH33 XH34 XH35 XH37 XH38 XH39 XH41 XH42 XH43 XH44 XH45 XH46 XH47 XH48 XH51 XH57 XH58 XH59 XH60	MOTORRAUMLH-MASSE 8P MOTORRAUMRH-MASSE 8P KAROSSERIE,MITTE-MASSE 5P DIAGNOSE 16P MOTORRAUMLH-GENERATOR 2P MOTORRAUMRH-GENERATOR 2P MOTORRAUMRH-GENERATOR 3P MOTORRAUMLH-MOTOR 12P MOTORRAUMLH-MOTOR 16P MOTORRAUMLH-MOTOR 12P MOTORRAUMLH-KAROSSERIE,VORN 20P MOTORRAUMLH-KAROSSERIE,VORN 14P MOTORRAUMLH-KAROSSERIE,VORN 16P MOTORRAUMLH-ARMATURENTAFEL 20P MOTORRAUMLH-ARMATURENTAFEL 22P MOTORRAUMLH-GETRIEBE 12P MOTORRAUMLH-GETRIEBE 12P MOTORRAUMLH-KAROSSERIE,VORN 20P MOTORRAUMLH-KAROSSERIE,VORN 10P MOTORRAUMLH-KAROSSERIE,VORN 6P MOTORRAUMLH-KAROSSERIE,VORN 18P MOTORRAUMLH-KAROSSERIE,VORN 2P MOTORRAUMLH-KAROSSERIE,VORN 14P MOTORRAUMLH-KAROSSERIE,VORN 20P MOTORRAUMLH-ARMATURENTAFEL 22P KAROSSERIE,VORN-TUER,BEIFAHRER 18P KAROSSERIE,VORN-TUER,BEIFAHRER 8P KAROSSERIE,VORN-ARMATURENTAFEL 6P KAROSSERIE,VORN-INNENRAUMLEUCHE 4P KAROSSERIE,VORN-TUER,FAHRER 18P KAROSSERIE,VORN-TUER,FAHRER 8P MOTORRAUMLH-ARMATURENTAFEL 18P MOTORRAUMLH-ARMATURENTAFEL 16P KAROSSERIE,VORN-ARMATURENTAFEL 22P KAROSSERIE,VORN-ARMATURENTAFEL 20P KAROSSERIE,VORN-ARMATURENTAFEL 20P KAROSSERIE,HINTEN-TUER,HINTEN,LINKS 6P KAROSSERIE,HINTEN-TUER,HINTEN,LINKS 3P KAROSSERIE,VORN-KAROSSERIE,HINTEN 2P KAROSSERIE,VORN-KAROSSERIE,HINTEN 22P KAROSSERIE,HINTEN-FAHRGESTELL 20P TUER,HINTEN,ZWISCHENSTUECK,RH-TUER,HINTEN,RH 6P TUER,HINTEN,ZWISCHENSTUECK,RH-TUER,HINTEN,RH 3P KAROSSERIE,HINTEN-HECKTUER,LINKS 4P KAROSSERIE,HINTEN-HECKTUER,LINKS 10P KAROSSERIE,HINTEN-HECKTUER,RECHTS 2P MOTORRAUMLH-MOTORRAUM,RH 16P MOTORRAUMLH-MOTORRAUM,RH 14P MOTORRAUMLH-MOTORRAUM,RH 2P STECKDOESE ANHAENGER 8P INNENRAUMLEUCHE-SCHIEBEDACH 6P KAROSSERIE,VORN-KAROSSERIE,HINTEN 20P KAR,VORN-TUER,HINTEN,ZWISCHENSTUECK,RH 14P KAROSSERIE,VORN-ARMATURENTAFEL 16P MOTORRAUMLH-SCHALTER,DOPPELDRUCK 4P KAROSSERIE,VORN-FAHRERSITZ 6P KAROSSERIE,VORN-BEIFAHRERSITZ 6P KAROSSERIE,HINTEN-FAHRGESTELL 2P MOTORRAUMLH-NDN STOP ALLRAD SYSTEM 4P	ENGINE ROOMLH-GROUND 8P ENGINE ROOMRH-GROUND 8P BODY,CENTRE-GROUND 5P DIAGNOSTIC LINK 16P ENGINE ROOMRH-ALTERNATOR 2P ENGINE ROOMRH-ALTERNATOR 2P ENGINE ROOMRH-ALTERNATOR 3P ENGINE ROOMLH-ENGINE 12P ENGINE ROOMLH-ENGINE 16P ENGINE ROOMLH-ENGINE 12P ENGINE ROOMLH-BODY,FRONT 20P ENGINE ROOMLH-BODY,FRONT 14P ENGINE ROOMLH-BODY,FRONT 16P ENGINE ROOMLH-INSTRUMENT PANEL 20P ENGINE ROOMLH-INSTRUMENT PANEL 22P ENGINE ROOMLH-TRANSMISSION 16P ENGINE ROOMLH-TRANSMISSION 12P ENGINE ROOMRH-BODY,FRONT 20P ENGINE ROOMLH-BODY,FRONT 10P ENGINE ROOMRH-BODY,FRONT 6P ENGINE ROOMRH-BODY,FRONT 18P ENGINE ROOMRH-BODY,FRONT 2P ENGINE ROOMRH-BODY,FRONT 14P ENGINE ROOMRH-BODY,FRONT 20P ENGINE ROOMRH-INSTRUMENT PANEL 22P BODY,FRONT-DOOR,COODRIVER 18P BODY,FRONT-DOOR,COODRIVER 8P BODY,FRONT-INSTRUMENT PANEL 6P BODY,FRONT-INTERIOR LAMP 4P BODY,FRONT-DOOR,DRIVER 18P BODY,FRONT-DOOR,DRIVER 8P ENGINE ROOMLH-INSTRUMENT PANEL 18P ENGINE ROOMLH-INSTRUMENT PANEL 16P BODY,FRONT-INSTRUMENT PANEL 22P BODY,FRONT-INSTRUMENT PANEL 20P BODY,FRONT-INSTRUMENT PANEL 20P BODY,REAR-DOOR,REAR,LEFT 6P BODY,REAR-DOOR,REAR,LEFT 3P BODY,FRONT-BODY,REAR 2P BODY,FRONT-BODY,REAR 22P BODY,REAR-CHASSIS 20P DOOR,REAR,INTERMEDIATE,RH-DOOR,REAR,RH 6P DOOR,REAR,INTERMEDIATE,RH-DOOR,REAR,RH 3P BODY,REAR-BACKDOOR,LEFT 4P BODY,REAR-BACKDOOR,LEFT 10P BODY,REAR-BACKDOOR,RIGHT 2P ENGINE ROOMLH-ENGINE ROOM,RH 16P ENGINE ROOMLH-ENGINE ROOM,RH 14P ENGINE ROOMLH-ENGINE ROOM,RH 2P TRAILER SOCKET 8P INTERIOR LAMP-SUN ROOF 6P BODY,FRONT-BODY,REAR 20P BODY,FRONT-DOOR,REAR,INTERMEDIATE,RH 14P BODY,FRONT-INSTRUMENT PANEL 16P ENGINE ROOMLH-SWITCH,DUAL PRESSURE BODY,FRONT-DRIVER SEAT 6P BODY,FRONT-COORDRIVER SEAT 6P BODY,REAR-CHASSIS 2P ENGINE ROOMLH-SHIFT ON THE FLY 4P	077 077 064 098 015 025 039 089 096 089 103 091 095 103 096 089 103 084 065 101 096 091 103 105 078 065 048 101 078 101 095 105 101 103 069 046 026 105 103 069 046 053 084 001 097 092 015 076 069 104 090 095 047 065 065 001 059
Y8 Y18 Y34 Y55 Y56 Y57 Y58 Y72	STELLMOTOR-REGLER,GESCHWINDIGKEIT MAGNETVENTIL-ABGASRUECKFUHRUNG MAGNETVENTIL-TANKENTLUEFTUNG MAGNETVENTIL-ABGASRUECKFUHRUNG MAGNETVENTIL-ABGASRUECKFUHRUNG MAGNETVENTIL-FICD MAGNETVENTIL-DROSSEL MAGNETVENTIL-KRAFTSTOFF,IMMO	ACTUATOR-CRUISE CONTROL SOLENOID VALVE-EXHAUST GAS RECIRCULATION SOLENOID VALVE-TANK VENTILATION SOLENOID VALVE-EXHAUST GAS RECIRCULATION SOLENOID VALVE-EXHAUST GAS RECIRCULATION SOLENOID-FICD SOLENOID-THROTTLE SOLENOID VALVE-FUEL,IMMO	047 021 022 023 019 014 019 044
INS/C1 INS/C2	ARMATURENTAFEL ARMATURENTAFEL	INSTRUMENT PANEL INSTRUMENT PANEL	099 100

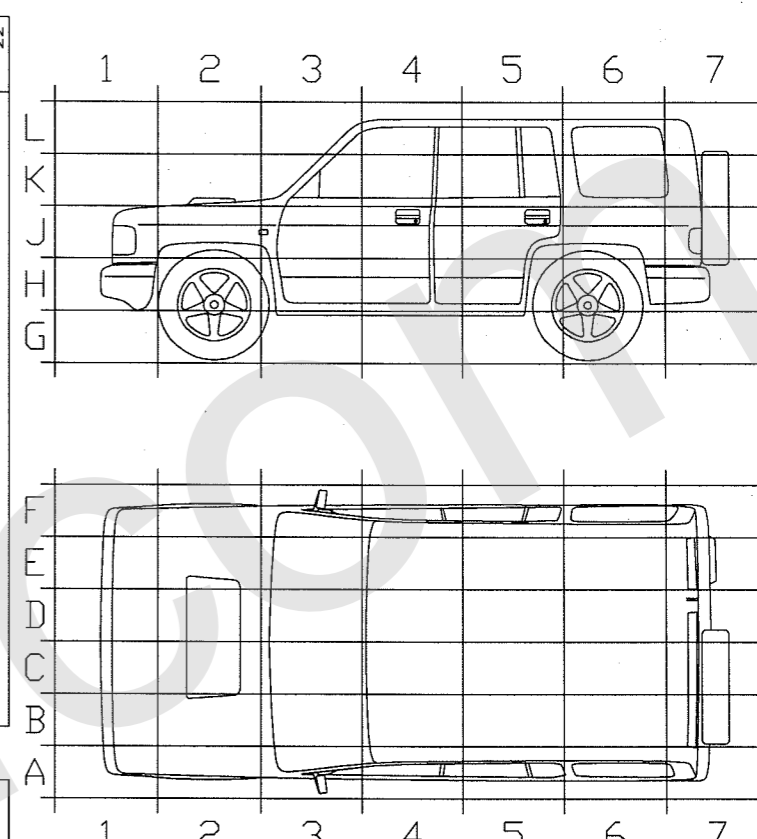
STECKVERBINDUNGEN ABBILDUNGEN PLUG CONNECTIONS ILLUSTRATIONS									
1 E12,E33,E61,M26 P75,S142,XH39 XH59	2 E20,E21,P19,S156 S160,S186,S207	3 E15,E41,E50,E51 E79,H52,H53	4 G2	5 H47	6 K77/C1,K115/C1	7 K77/C2,K115/C2	8 L2/CLP30,P35	9 M14,M15,M16,M17	10 M21
11 P17,P18	12 P20	13 P29,P72	14 P55,U25,Y57,S146	15 R22,XH2,XH43	16 S8	17 S18	18 S187	19 U26,Y56,Y58	20 V18
21 Y18	22 Y34	23 Y55	24 XH14	25 XH3,S61	26 M72,3M73,2/C2,R31,S167/C2 S168/C1,S168/C3,XH31	27 E16/CLH37,H38,H39,H40,K78/CLM3,M5, M24,M61,M73,1/C2,M73,3,M77,P74,S11, S45,S104	28 E7,E8,E9,E10		
29 E13,K128	30 H19	31 K10	32 K18	33 L2/C3	34 M73,1/C1	35 M73,2/C1,S152,S189			
36 P14	37 P23	38 P34	39 P73,XH3	40 S41,S42	41 S153	42 S2,3			
43 V6,V25	44 Y72	45 U4/C2	46 XH29,XH35	47 E1E2,E4,E5,H9,H10,H11,H12 H13,H14,S175,S176,S177,XH51,Y8	48 E17,E18,E24,E39,M8,XH21				
49 E25,E30,S30,S55	50 G6/C1	51 K1,K5,K7,K58,K60 K89,K131,K149,K152 K153,K162	52 K102/C2	53 K97,K134/C1,M18,M19,M20,M32,M75,XH37	54 M82	55 P4			
56 P32	57 S116	58 U13	59 XH60	60 V18,V21,V22,V24 V26,V28,V30,V31 V33,V38	61 K73,K79,K129,K130 K154,K155,K157 K164	62 P3	63 U10		
64 XC85	65 M2,S24/C2,XH13,XH20,XH57,XH58	66 K115,K127 K157,K163	67 M6,M7,M39,M40	68 S21,S22,S68/C3,S144,S171,S172	69 H70,H78,K102/C1,S24/C1,S101,S205,S206 XH28,XH34,XH45				
70 S147	71 K30,K134/C2,R30	72 M72,4,M73,4,S167/C3,S168/C2	73 S149	74 L2/C2	75 K8,S1				

STECKVERBINDUNGEN ABBILDUNGEN  
PLUG CONNECTIONS ILLUSTRATIONS

<p>76 XH44</p>	<p>77 XC16, XC39</p>	<p>78 XH19, XH23</p>	<p>79 S52, S68/C2, S148</p>	<p>80 S118</p>
<p>81 M62, M63</p>	<p>82 KH17</p>	<p>83 H42, H66, H69, H77</p>	<p>84 S68/C1, S203/C1, S204, XH12, XH38</p>	<p>85 S98</p>
<p>86 S203/C2</p>	<p>87 S167/C1</p>	<p>88 U4/C1</p>	<p>89 XH4, XH6, XH11</p>	<p>90 K142, S9, S9.5, S43, S43.4, XH47</p>
<p>91 XH8, XH15</p>	<p>92 XH42</p>	<p>93 K94</p>	<p>94 H1</p>	<p>95 S2.1, S5.2, S5.3, S64, XH8, XH24, XH48</p>
<p>96 XH5, XH10</p>	<p>97 XH41</p>	<p>98 XD</p>	<p>99 INS/C1</p>	<p>100 INS/C2</p>
<p>101 XH13, XH18, XH22, XH24, XH26</p>	<p>102 K14, K161</p>	<p>103 XH7, XH9, XH12, XH15, XH27, XH33</p>	<p>104 XH46</p>	<p>105 XH9, XH16, XH25, XH32</p>
<p>106 K85/C1, K156/C1</p>	<p>107 K85/C2, K156/C2</p>	<p>108 K50</p>		

TEILEANORDNUNG/PARTS INSTALLATION

Table with columns: TEILE, PARTS, LHD, RHD, EINBAUORT, LOCATION, WEITERE INFORMATION. Lists various control units and relays for the vehicle.



SICHERUNGEN / FUSES

Table with columns: F1-F12, SICHERUNG, FUSE, F2 J, F2 J, RELAIS & SICHERUNGSKASTEN, RELAY & FUSE BOX, etc.

STECKVERBINDUNGEN KABELSAETZE / PLUG CONNECTIONS WIRING HARNESSSES

Large table with columns: XB58, TELEFON, TELEPHONE, C 3 H, C 3 H, HINTER VERKLEIDUNG-MITTEL KONSOLE, BEHIND PANEL-CENTRE CONSOLE, etc.



TEILE ANORDNUNG / PARTS INSTALLATION

BILD A / ILLUSTRATION A

RELAIS & SICHERUNGSKASTEN, MOTORRAUM /  
RELAY & FUSE BOX, ENGINE ROOM

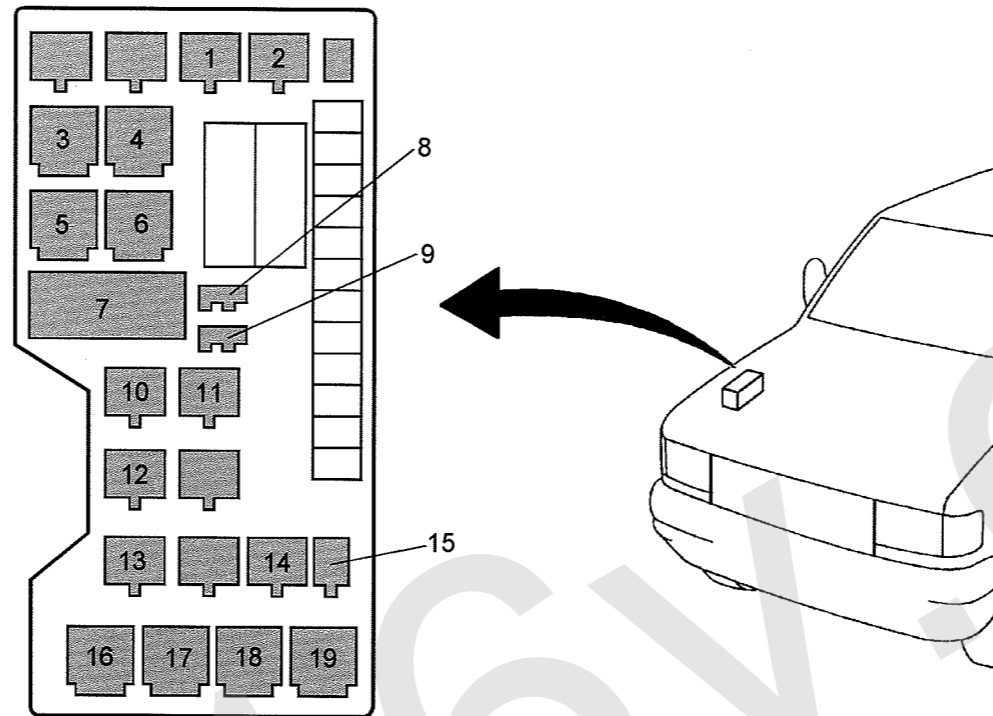
POS.	BESCHREIBUNG	POS.	DESCRIPTION
K5	2 RELAIS, NEBELSCHEINWERFER	2	RELAY, FOG LAMPS
K8	7 RELAIS, INTERVALL, WISCHER FRONTSCHIEBE	7	RELAY, INTERVAL, WIPER WINDSHIELD
K18	15 RELAIS, SIGNALHORN	15	RELAY, SIGNAL HORN
K58	10 RELAIS, PUMPEKRAFTSTOFF	10	RELAY, PUMP FUEL
K60	13 RELAIS, KOMPRESSOR, KLIMAANLAGE	13	RELAY, COMPRESSOR, AIR CONDITIONING
K73	18 RELAIS, FERNLICHT (AUßER NORWEGEN, FINNLAND UND RHD)	18	RELAY, HIGH BEAM (EXCEPT NORWAY, FINLAND AND RHD)
K79	6 RELAIS, LADEKONTROLLE (4JG2)	6	RELAY, CHARGING INDICATOR (4JG2)
K89	1 RELAIS, NEBELSCHLÜßLEUCHTE	1	RELAY, FOG LAMP, REAR
K115	6 RELAIS, ANLASSER (6VD1)	6	RELAY, STARTER (6VD1)
K127	17 RELAIS, FAHRLEUCHTE 2	17	RELAY, RUNNING LIGHT 2
K129	5 RELAIS, SCHNELL HEIZUNG SYSTEM	5	RELAY, QUICK WARMING-UP SYSTEM
K130	11 RELAIS, KERAMIK HEIZUNG (4JG2)	11	RELAY, CERAMIC HEATER (4JG2)
K149	14 RELAIS, KOMPRESSOR, MULTEC	14	RELAY, COMPRESSOR, MULTEC
K152	11 RELAIS, HAUPT, MULTEC-M (6VD1)	11	RELAY, MAIN, MULTEC-M (6VD1)
K153	12 RELAIS, SCHLÜßLICHT (AUßER NORWEGEN UND FINNLAND)	12	RELAY, TAIL LIGHT (EXCEPT NORWAY AND FINLAND)
K154	4 RELAIS, FAHRLEUCHTEABSCHALTUNG (NUR NORWEGEN UND FINNLAND)	4	RELAY, RUNNING LIGHT CUT OFF (ONLY NORWAY AND FINLAND)
K155	18 RELAIS, FAHRLEUCHTE 1 (NUR NORWEGEN UND FINNLAND)	18	RELAY, RUNNING LIGHT 1 (ONLY NORWAY AND FINLAND)
K157	16 RELAIS, SCHEINWERFER	16	RELAY, HEADLAMP
K162	12 RELAIS, SCHLÜßLICHT 1 (NUR NORWEGEN UND FINNLAND)	12	RELAY, TAIL LIGHT 1 (ONLY NORWAY AND FINLAND)
K163	19 RELAIS, SCHLÜßLICHT 2 (NUR NORWEGEN UND FINNLAND)	19	RELAY, TAIL LIGHT 2 (ONLY NORWAY AND FINLAND)
K164	3 RELAIS, NON STOP ALLRAD SYSTEM	3	RELAY, SHIFT ON THE FLY
V24	8 DIODE (4JG2)	8	DIODE (4JG2)
V25	9 DIODE (4JG2)	9	DIODE (4JG2)
V26	8 DIODE (4JG2)	8	DIODE (4JG2)
V33	9 DIODE (6VD1)	9	DIODE (6VD1)
V38	8 DIODE (6VD1)	8	DIODE (6VD1)

BILD B / ILLUSTRATION B

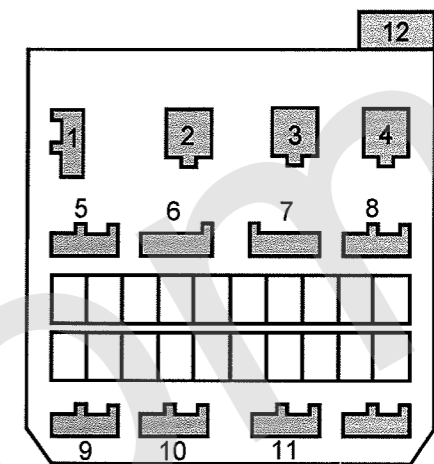
RELAIS & SICHERUNGSKASTEN, ARMATURENTAFEL FAHRERSEITE /  
RELAY & FUSE BOX, INSTRUMENT PANEL DRIVER SIDE

POS.	BESCHREIBUNG	POS.	DESCRIPTION
C/B-1	6 SICHERUNG	6	FUSE
C/B-2	7 SICHERUNG	7	FUSE
K1	4 RELAIS, HECKSCHEIBE HEIZBAR	4	RELAY, BACK WINDOW HEATED
K7	2 RELAIS, GEBLÄSE	2	RELAY, BLOWER
K10	12 BLINKGEBER	12	FLASHER UNIT
K131	3 RELAIS, FENSTERHEBER	3	RELAY, POWER WINDOW
V6	5 DIODE, STANDLICHT	5	DIODE, PARKING LAMP
V18	9 DIODE, RELAIS STARTER (6VD1)	9	DIODE, RELAY STARTER (6VD1)
V21	1 DIODE, WARNSUMMER	1	DIODE, WARNING BUZZER
V22	8 DIODE, WARNSUMMER	8	DIODE, WARNING BUZZER
V28	11 DIODE	11	DIODE
V30	11 DIODE	11	DIODE
V31	10 DIODE	10	DIODE
V33	9 DIODE (4JG2)	9	DIODE (4JG2)

A



B



C

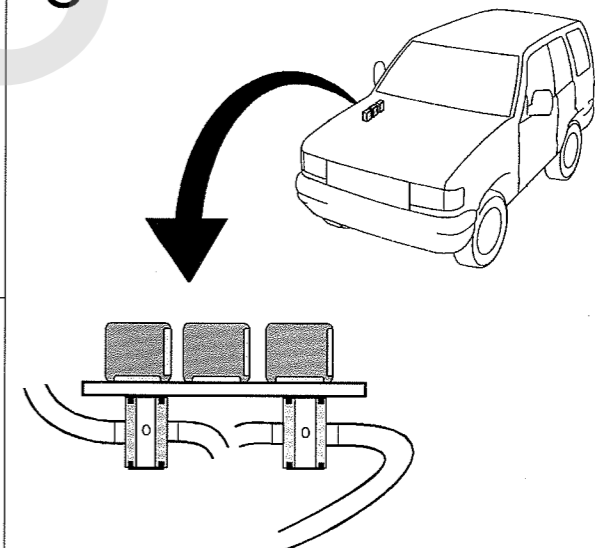


BILD C / ILLUSTRATION C

RELAIS NUR 4JG2 RADEINBAU RECHTS /  
RELAY ONLY 4JG2 WHEELHOUSE RIGHT

DIE IDENTIFIZIERUNG DER EINZELN RELAIS IST MIT HILFE DER LEITUNGSFARBE ZU ERMITTELN		THE IDENTIFICATION OF EACH RELAY HAS TO BE MADE BY USING THE COLOUR OF THE WIRING	
K77	RELAIS, GLÜHSTIFTKERZEN	RELAY, GLOW PLUGS	
C1	KL.1: RTWS 3	C1	TER.1: RTWS 3
C1	KL.2: SWRT 3	C1	TER.2: SWRT 3
C2	KL.1: SWGE 0.85	C2	TER.1: SWGE 0.85
C2	KL.2: SWBL 0.5	C2	TER.2: SWBL 0.5
K78	RELAIS, VORWIDERSTAND	RELAY, PRERESISTOR	
C1	KL.1: SWGE 0.85	C1	TER.1: SWGE 0.85
C1	KL.2: SWGN 0.5	C1	TER.2: SWGN 0.5
1P	KL.1: RTWS 3	1P	TER.1: RTWS 3
1P	KL.1: SWGE 3	1P	TER.1: SWGE 3
K115	RELAIS, ANLASSER	RELAY, STARTER	
C1	KL.1: WSSW 3	C1	TER.1: WSSW 3
C1	KL.2: SWGE 5	C1	TER.2: SWGE 5
C2	KL.1: SWOR 0.5	C2	TER.1: SWOR 0.5
C2	KL.2: BL 0.5	C2	TER.2: BL 0.5

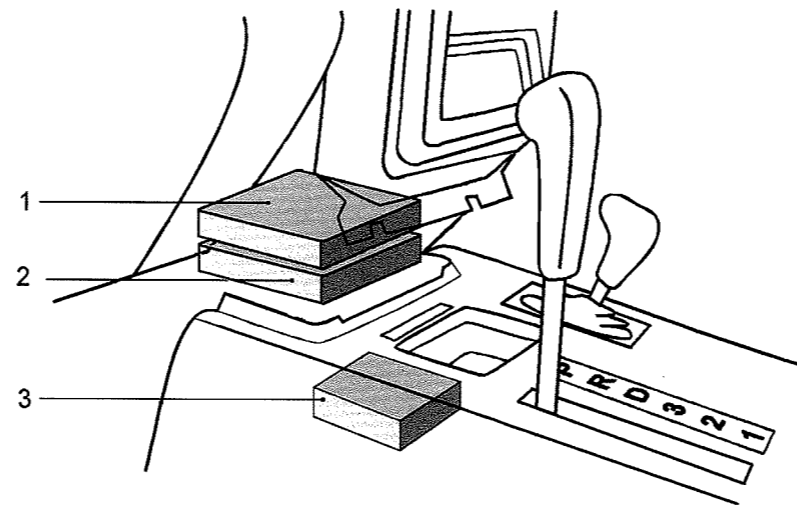
TEILE ANORDNUNG / PARTS INSTALLATION

BILD A / ILLUSTRATION A

HINTER VERKLEIDUNG - MITTEN CONSOLE /  
BEHIND MOULDING - MIDDLE CONSOLE

POS.	BESCHREIBUNG	POS.	DESCRIPTION
K50	1 STEUERGERÄT, ABS	1	CONTROL UNIT, ABS
K102	3 STEUERGERÄT, PARK BRAKE SHIFT LOCK	3	CONTROL UNIT, PARK BRAKE SHIFT LOCK
K156	2 STEUERGERÄT, MULTEC-M (6VD1)	2	CONTROL UNIT, MULTEC-M (6VD1)
K161	2 STEUERGERÄT, QOS-EGR (4JG2)	2	CONTROL UNIT, QOS-EGR (4JG2)

A



D

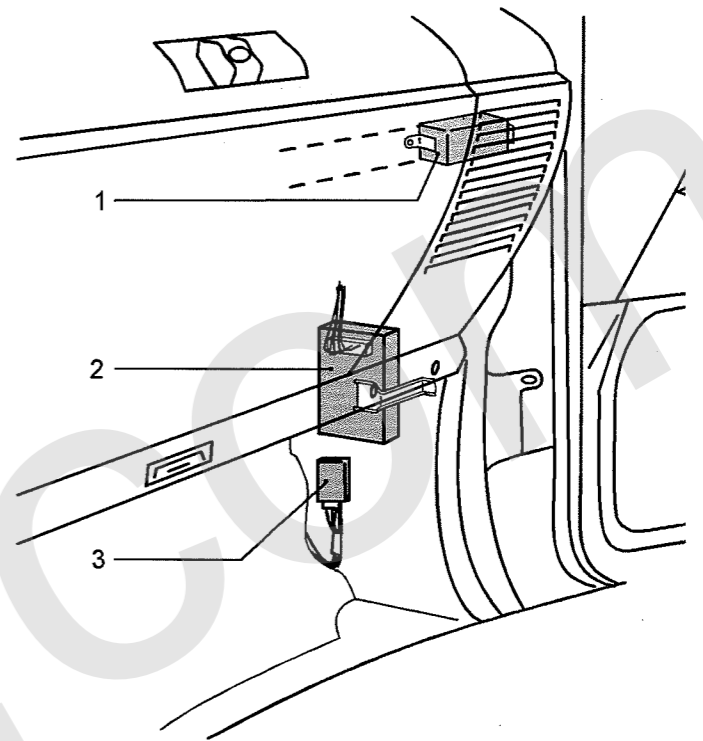


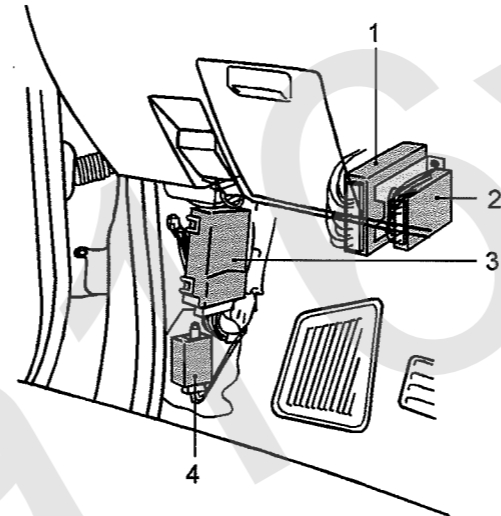
BILD B / ILLUSTRATION B

HINTER VERKLEIDUNG - FUSSRAUM FAHRERSEITE /  
BEHIND MOULDING - LEG ROOM DRIVER SIDE

FÜR LHD FAHRZEUGE / FOR LHD VEHICLES

POS.	BESCHREIBUNG	POS.	DESCRIPTION
K30	4 RELAIS INTERVALL, WISCHER, HECKSCHEIBE	4	RELAY INTERVAL, WIPER, BACK WINDOW
K85	1 STEUERGERÄT, AT	1	CONTROL UNIT, AT
K94	3 STEUERGERÄT, DIEBSTAHLWARNANLAGE	3	CONTROL UNIT, ANTI THEFT WARNING UNIT
K142	2 STEUERGERÄT, WÄHLHEBEL POSITION	2	CONTROL UNIT, AT SELECTOR LEVER POSITION

B



E

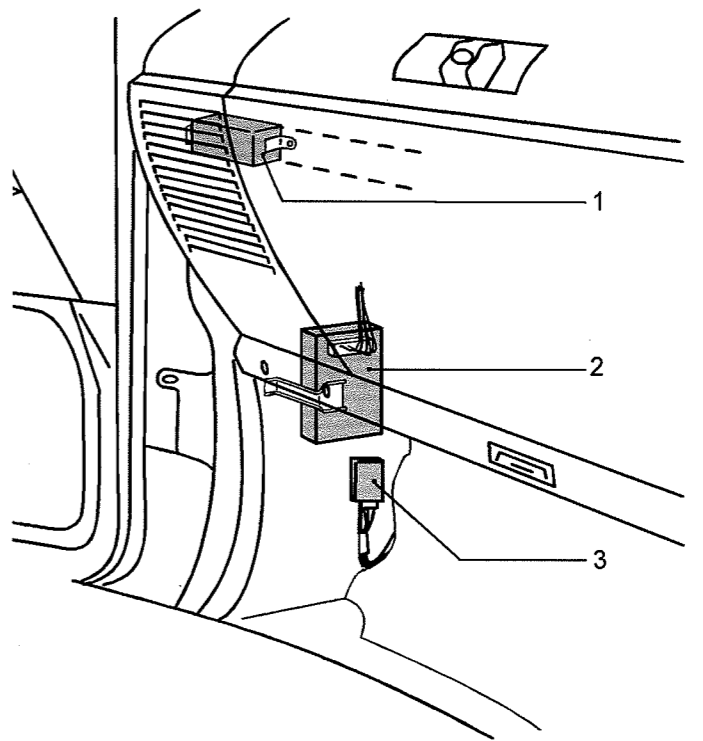


BILD C / ILLUSTRATION C

HINTER VERKLEIDUNG - FUSSRAUM FAHRERSEITE /  
BEHIND MOULDING - LEG ROOM DRIVER SIDE

FÜR RHD FAHRZEUGE / FOR RHD VEHICLES

POS.	BESCHREIBUNG	POS.	DESCRIPTION
K30	4 RELAIS INTERVALL, WISCHER, HECKSCHEIBE	4	RELAY INTERVAL, WIPER, BACK WINDOW
K85	1 STEUERGERÄT, AT	1	CONTROL UNIT, AT
K94	3 STEUERGERÄT, DIEBSTAHLWARNANLAGE	3	CONTROL UNIT, ANTI THEFT WARNING UNIT
K142	2 STEUERGERÄT, WÄHLHEBEL POSITION	2	CONTROL UNIT, AT SELECTOR LEVER POSITION

C

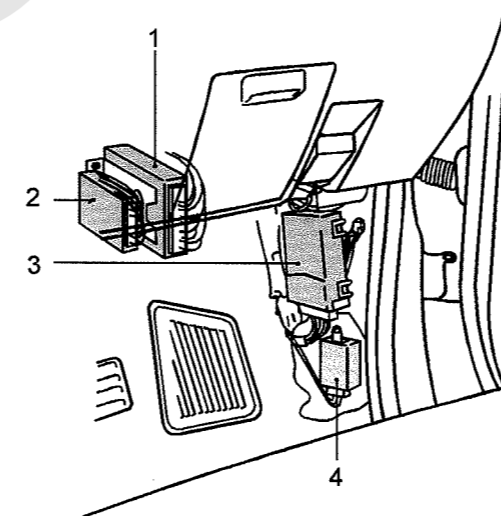


BILD D / ILLUSTRATION D

HINTER VERKLEIDUNG - FUSSRAUM BEIFAHRESEITE /  
BEHIND MOULDING - LEG ROOM CODRIVER SIDE

FÜR LHD FAHRZEUGE / FOR LHD VEHICLES

POS.	BESCHREIBUNG	POS.	DESCRIPTION
K14	2 STEUERGERÄT, REGLER GESCHWINDIGKEIT	2	CONTROL UNIT, CRUISE CONTROL
K97	1 ZEITRELAIS, WASCHERPUMPE SCHEINWERFER	1	RELAY, TIME DELAY, WASHERPUMP HEADLAMPS
H19	3 WARNSUMMER, SCHEINWERFER EINSCHALTCONTROLLE	3	WARNING BUZZER, HEADLAMPS ON

BILD E / ILLUSTRATION E

HINTER VERKLEIDUNG - FUSSRAUM BEIFAHRESEITE /  
BEHIND MOULDING - LEG ROOM CODRIVER SIDE

FÜR RHD FAHRZEUGE / FOR RHD VEHICLES

POS.	BESCHREIBUNG	POS.	DESCRIPTION
K14	2 STEUERGERÄT, REGLER GESCHWINDIGKEIT	2	CONTROL UNIT, CRUISE CONTROL
K97	1 ZEITRELAIS, WASCHERP. SCHEINWERFER	1	RELAY, TIME DELAY, WASHERP. HEADLAMPS
H19	3 WARNSUMMER, SCHEINWERFER EINSCHALTCONTROLLE	3	WARNING BUZZER, HEADLAMPS ON

**TEILE ANORDNUNG / PARTS INSTALLATION**

**BILD A / ILLUSTRATION A**  
**HINTER DACHVERKLEIDUNG, MITTE /**  
**BEHIND HEAD LINING, CENTRE**

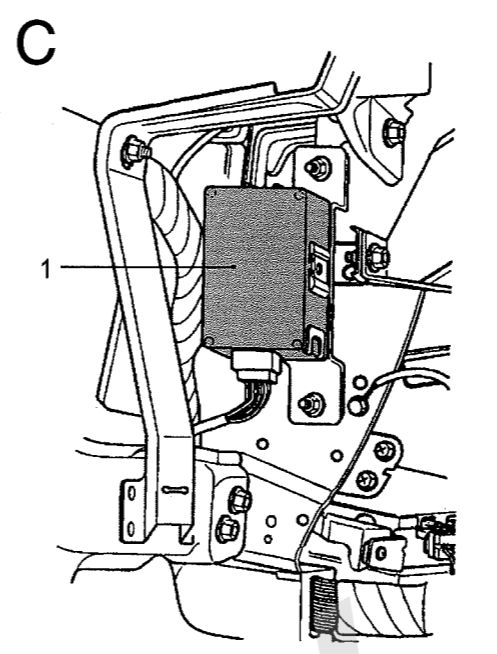
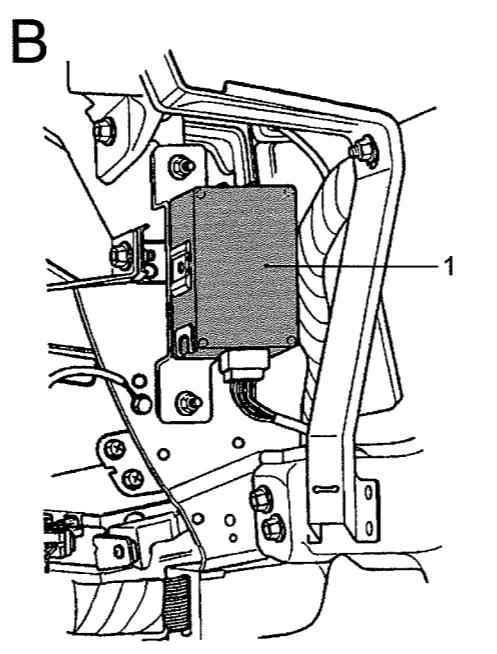
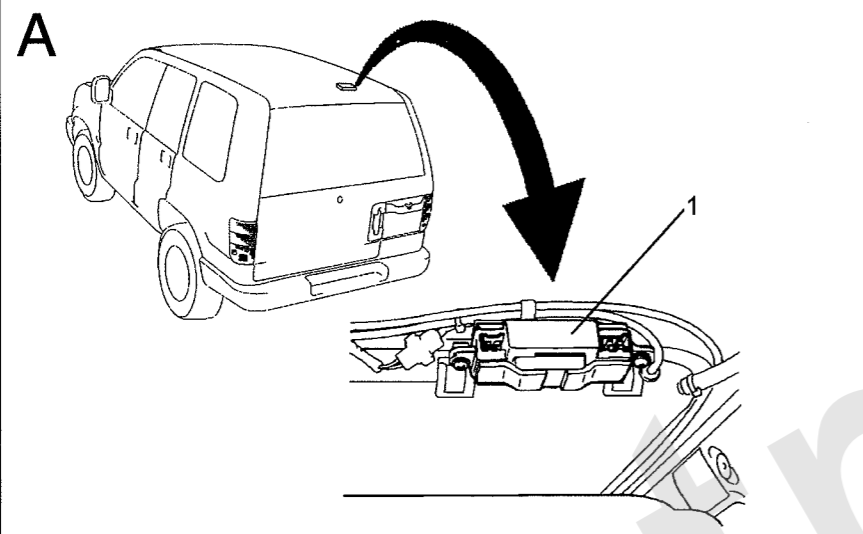
POS.	BESCHREIBUNG	POS.	DESCRIPTION
K134	1 STEUERGERÄT, SCHIEBEDACH	1	CONTROL UNIT, SUN ROOF

**BILD B / ILLUSTRATION B**  
**AN STUETZE - MITTEL KONSOLE, BEIFAHRESEITE /**  
**TO BRACKET - CENTRE CONSOLE, CO-DRIVER SIDE**  
**FÜR LHD FAHRZEUGE / FOR LHD VEHICLES**

POS.	BESCHREIBUNG	POS.	DESCRIPTION
K117	1 STEUERGERÄT, WEGFAHRSPERRE	1	CONTROL UNIT, IMMOBILISER

**BILD C / ILLUSTRATION C**  
**AN STUETZE - MITTEL KONSOLE, BEIFAHRESEITE /**  
**TO BRACKET - CENTRE CONSOLE, CO-DRIVER SIDE**  
**FÜR RHD FAHRZEUGE / FOR RHD VEHICLES**

POS.	BESCHREIBUNG	POS.	DESCRIPTION
K117	1 STEUERGERÄT, WEGFAHRSPERRE	1	CONTROL UNIT, IMMOBILISER



**ZUSÄTZLICHE HINWEISE ZU RELAIS UND STEUERGERÄTE /**  
**ADDITIONAL INFORMATION ON CONTROL UNITS AND RELAYS**  
**Referenzliste / Reference list**

	PRODUKTION TEILE-NR.	T + Z TEILE-NR.	KATALOG-NR.
	PRODUCTION PART-NO.	P + A PART-NO.	CATALOG-NO.
K 1	8-97093-910-1	97 093 910	08 55 831
K 5	8-97093-910-1	97 093 910	08 55 831
K 7	8-97093-910-1	97 093 910	08 55 831
K 8	8-94377-631-0	94 377 631	62 38 507
K 10	8-97105-453-0	97 105 453	12 26 939
K 14	MIT / WITH MT		
	8-97116-908-1	97 116 908	62 37 501
K 14	MIT / WITH AT		
	8-97116-907-1	97 116 907	62 37 502
K 18	8-97018-462-0	97 018 462	62 38 505
H 19	8-94100-124-0	94 100 124	12 28 714
K 30	8-94376-088-0	94 376 088	62 38 509
K 50	8-97114-360-0	97 114 360	62 37 495
K 58	8-97093-910-1	97 093 910	08 55 831
K 60	8-97093-910-1	97 093 910	08 55 831
K 73	8-94218-497-0	94 218 497	12 38 974
K 77	8-94389-760-1	94 389 760	62 38 506
K 78	8-94389-760-1	94 389 760	62 38 506
K 79	8-94235-627-0	94 235 627	12 38 979
K 85	8-16218-429-0	16 218 429	62 37 503
K 89	8-97093-910-1	97 093 910	08 55 831
K 94	8-97129-424-0	97 129 424	62 37 536
K 94	CH		
	8-97129-425-0	97 129 425	62 37 537
K 97	8-97807-299-0	97 807 299	62 38 504

**Referenzliste / Reference list**

	PRODUKTION TEILE-NR.	T + Z TEILE-NR.	KATALOG-NR.
	PRODUCTION PART-NO.	P + A PART-NO.	CATALOG-NO.
K 102	8-97035-008-0	97 035 008	12 37 519
K 115	MIT / WITH MOTOR 6VD1		
	8-94147-095-0	94 147 095	62 38 510
K 115	MIT / WITH MOTOR 4JG2		
	8-94147-095-0	94 147 095	62 38 510
K 117	MIT / WITH MOTOR 6VD1-LHD		
	8-97136-237-0	97 136 237	62 37 587
K 117	MIT / WITH MOTOR 6VD1-RHD		
	8-97136-234-0	97 136 234	62 37 586
K 117	MIT / WITH MOTOR 4JG2-LHD		
	8-97136-239-0	97 136 239	62 37 585
K 117	MIT / WITH MOTOR 4JG2-RHD		
	8-97136-238-0	97 136 238	62 37 588
K 127	8-94147-095-0	94 147 095	62 38 510
K 128	8-97125-393-0	97 125 393	18 45 438
K 129	8-94218-497-0	94 218 497	12 38 974
K 130	8-97093-910-1	97 093 910	08 55 831
K 131	8-97093-910-1	97 093 910	08 55 831
K 134	8-97810-119-0	97 810 119	12 37 621
K 142	NUR / ONLY LHD		
	8-97106-313-0	97 106 313	62 37 468
K 142	NUR / ONLY RHD		
	8-97086-258-0	97 086 258	62 37 316
K 149	8-97093-910-1	97 093 910	08 55 831
K 152	8-97093-910-1	97 093 910	08 55 831
K 153	8-97093-910-1	97 093 910	08 55 831
K 154	8-94218-497-0	94 218 497	12 38 974
K 155	8-94147-095-0	94 147 095	62 38 510
K 156	MIT / WITH AT, AUßER / WITHOUT IMMO, NICHT / NOT CH		
	8-16197-069-0	16 197 069	12 37 663
K 156	MIT / WITH AT, MIT / WITH IMMO, NICHT / NOT CH		
	8-16217-759-0	16 217 759	62 37 510
K 156	MIT / WITH AT, AUßER / WITHOUT IMMO, CH		
	8-16197-189-0	16 197 189	12 37 670
K 156	MIT / WITH AT, MIT / WITH IMMO, CH		
	8-16217-779-0	16 217 779	62 37 512
K 156	MIT / WITH MT, AUßER / WITHOUT IMMO, NICHT / NOT CH		
	8-16197-079-0	16 197 079	12 37 662
K 156	MIT / WITH MT, MIT / WITH IMMO, NICHT / NOT CH		
	8-16217-749-0	16 217 749	62 37 509
K 156	MIT / WITH MT, AUßER / WITHOUT IMMO, CH		
	8-16197-199-0	16 197 199	12 37 669
K 156	MIT / WITH MT, MIT / WITH IMMO, CH		
	8-16217-769-0	16 217 769	62 37 511
K 157	8-97093-910-1	97 093 910	08 55 831
K 157	N / FIN		
	8-94147-095-0	94 147 095	62 38 510
K 161	8-97110-340-1	97 110 340	62 37 513
K 162	8-97093-910-1	97 093 910	08 55 831
K 163	8-94147-095-0	94 147 095	62 38 510
K 164	8-94218-497-0	94 218 497	12 38 974

TEILENUMMERN UND KATALOGNUMMERN STAND BEI DRUCKLEGUNG.  
 WEITERE INFORMATIONEN SIEHE T + Z KATALOG.

PARTNUMBERS AND CATALOG NUMBERS CORRECT WHEN PRINTED.  
 MORE INFORMATION SHOWN IN P & A CATALOG.